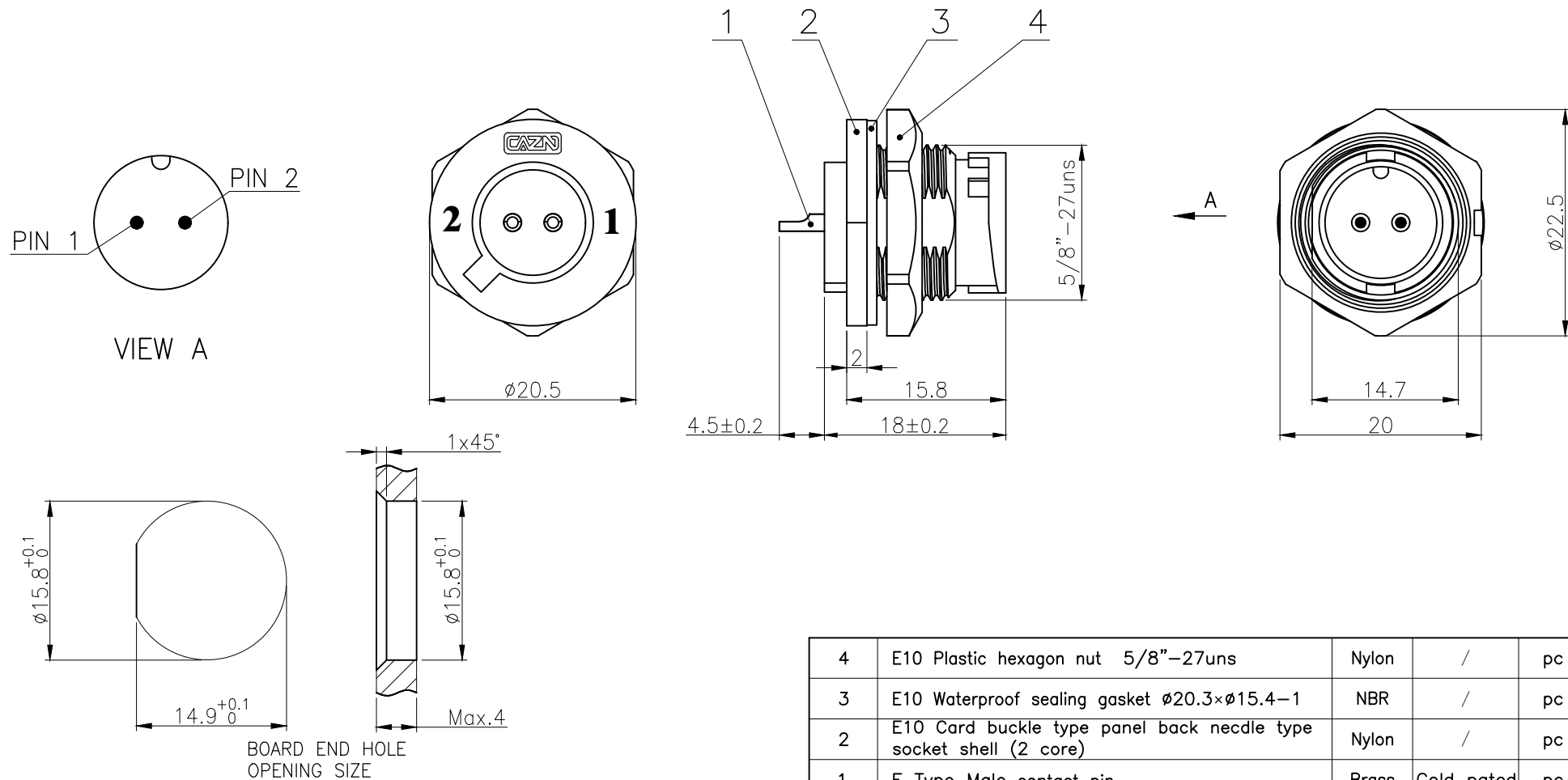


| Rev. | Change Description | ECN # | Date |
|------|--------------------|-------|------|
|      |                    |       |      |



| 4   | E10 Plastic hexagon nut 5/8"-27uns                                | Nylon    | /          | pc   | 1    |
|-----|---|----------|------------|------|------|
| 3   | E10 Waterproof sealing gasket $\phi 20.3 \times \phi 15.4 - 1$    | NBR      | /          | pc   | 1    |
| 2   | E10 Card buckle type panel back needle type socket shell (2 core) | Nylon    | /          | pc   | 1    |
| 1   | E Type Male contact pin   | Brass    | Gold pated | pc   | 2    |
| No. | Specification   | Material | Treat      | Unit | Q'ty |

| Technical specifications: |                        | Materials:        |                    |
|---------------------------|------------------------|-------------------|--------------------|
| Coupling:                 | Card buckle connection | Shell material:   | PA66+GF UL94 black |
| Termination:              | Soldering              | Contact material: | Brass Gold plated  |
| Pollution degree:         | 3                      | Insert material:  | PA66+GF UL94 black |
| Temperature range:        | -45°C ~ +105°C         | Sealing:          | NBR                |
| Degree of protection:     | IP67                   |                   |                    |
| Mating cycles:            | ≥500                   |                   |                    |
| Rated voltage:            | 60V AC/DC              |                   |                    |
| Rated current:            | 5A                     |                   |                    |

|                                      |        |            |  |
|--------------------------------------|--------|------------|--|
| GENERAL TOLERANCE (UNLESS SPECIFIED) | DWN    | DATE       |  |
|                                      | LL     | 2022.8.15  |  |
|                                      | CHK    | DATE       |  |
| ≤10 ±0.1                             | APVD   | DATE       | TITLE E10 Male Back Mount Solder Receptacle 2 core |
| <10~≤20 ±0.2                         |        |            |  |
| <20~≤50 ±0.5                         |        |            |  |
| Angle ±1°                            |        |            |  |
| <br>THIRD ANGLE                      | UNIT   | REV        | PART NO  |
|                                      | MM     | A          | E10023-02A000000                                   |
|                                      | SIZE   | SHEET      | DRAWING NO   |
| A4                                   | 1 OF 1 | E10P-BF-P2 |  |

All parts are RoHS compliant