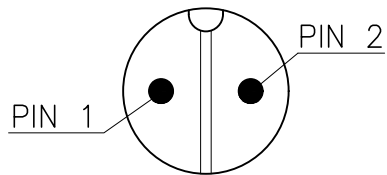
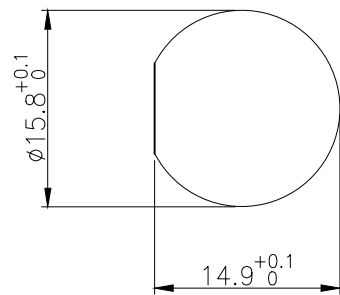
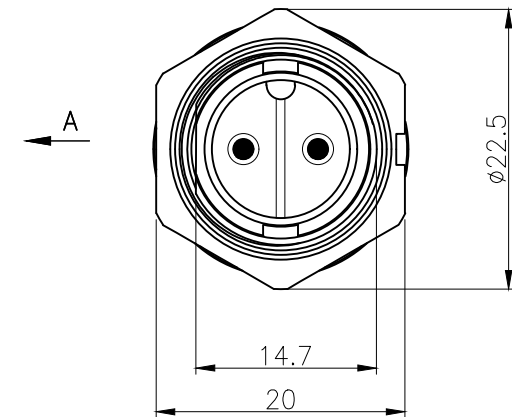
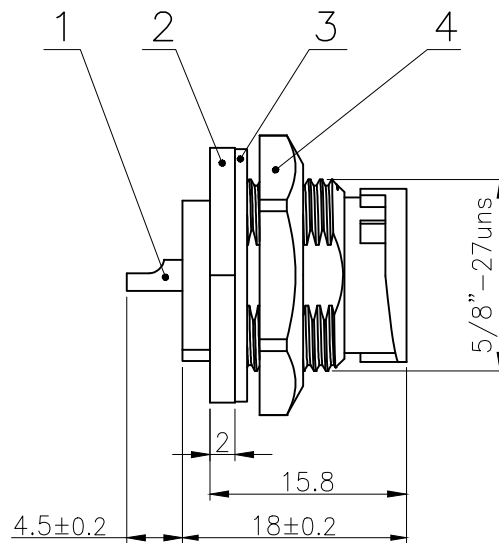
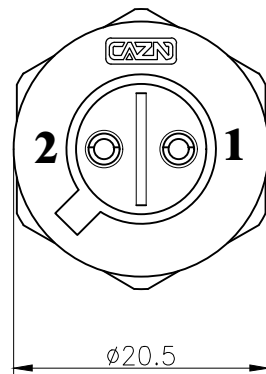


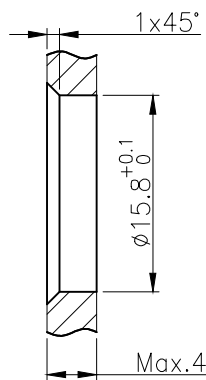
Rev.	Change Description	ECN #	Date



VIEW A



BOARD END HOLE
OPENING SIZE



Technical specifications:

Coupling:	Card buckle connection
Termination:	Soldering
Pollution degree:	3
Temperature range:	-45°C ~ +105°C
Degree of protection:	IP67
Mating cycles:	≥500
Rated voltage:	300V AC/DC
Rated current:	10A

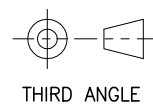
Materials:

Shell material:	PA66+GF UL94 black
Contact material:	Brass Gold plated
Insert material:	PA66+GF UL94 black
Sealing:	NBR

All parts are RoHS compliant

No.	Specification	Material	Treat	Unit	Q'ty
4	E10 Plastic hexagon nut 5/8"-27uns	Nylon	/	pc	1
3	E10 Waterproof sealing gasket $\phi 20.3 \times \phi 15.4 - 1$	NBR	/	pc	1
2	E10 Card buckle type panel back needle type socket shell (2 core B code)	Nylon	/	pc	1
1	E Type Male contact pin	Brass	Gold pated	pc	2

GENERAL TOLERANCE (UNLESS SPECIFIED)	DWN	DATE	
	LL	2022.8.15	
	CHK	DATE	
≤10 ±0.1	APVD	DATE	TITLE E10 Male Back Mount Solder Receptacle 2 core B code
<10~≤20 ±0.2	UNIT	REV	PART NO E10023-02B000000
<20~≤50 ±0.5	MM	A	
Angle ±1°	SIZE	SHEET	DRAWING NO E10P-BF-P2B
	A4	1 OF 1	



THIRD ANGLE