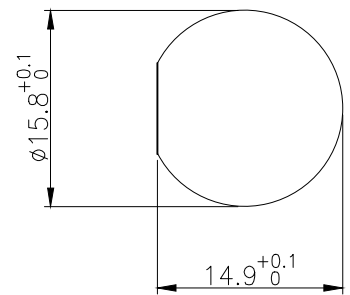
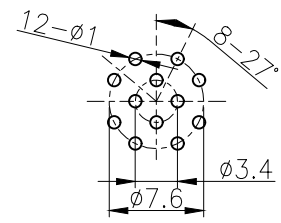
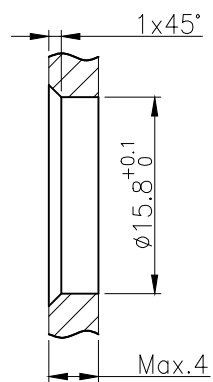
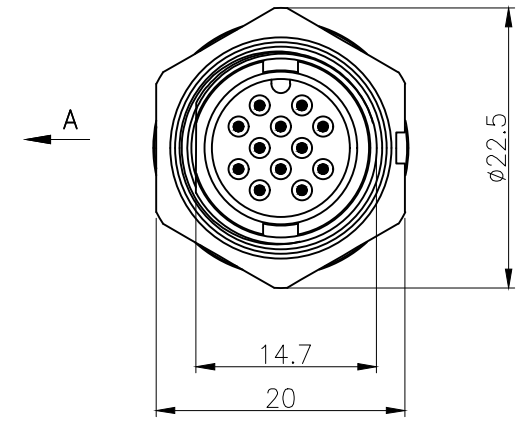
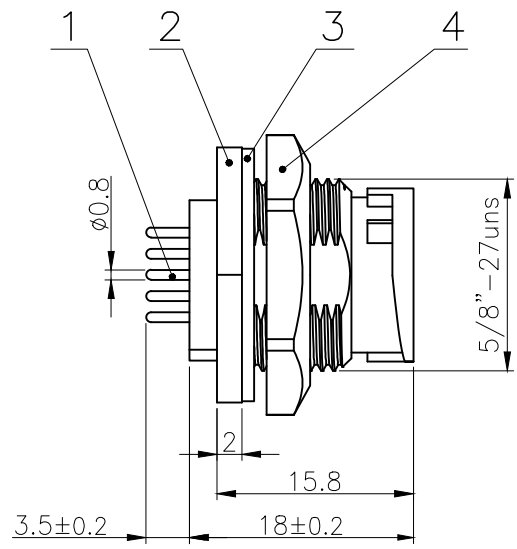
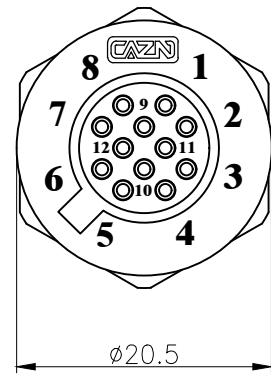
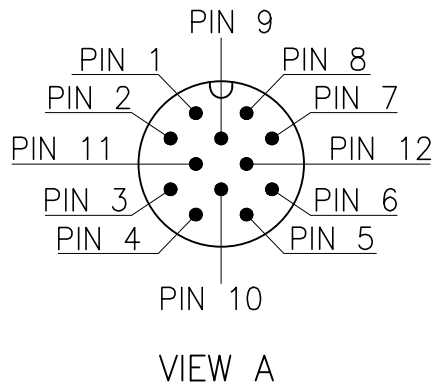


Rev.	Change Description	ECN #	Date



BOARD END HOLE OPENING SIZE

RECOMMENDED P.C.B LAYOUT

No.	Specification	Material	Treat	Unit	Q'ty
4	E10 Plastic hexagon nut 5/8"-27uns	Nylon	/	pc	1
3	E10 Waterproof sealing gasket ø20.3xø15.4-1	NBR	/	pc	1
2	E10 Card buckle type panel back needle type socket shell (12 core)	Nylon	/	pc	1
1	E Type Male contact pin	Brass	Gold pated	pc	12

Technical specifications:		Materials:	
Coupling:	Card buckle connection	Shell material:	PA66+GF UL94 black
Termination:	Dip solder	Contact material:	Brass Gold plated
Pollution degree:	3	Insert material:	PA66+GF UL94 black
Temperature range:	-45°C ~ +105°C	Sealing:	NBR
Degree of protection:	IP67		
Mating cycles:	≥500		
Rated voltage:	30V AC/DC		
Rated current:	2A		
All s are RoHS compliant			

GENERAL TOLERANCE (UNLESS SPECIFIED)	DWN	DATE	
	LL	2022.8.15	
	CHK	DATE	
≤10 ±0.1	APVD	DATE	TITLE E10 Male Back Mount PCB Receptacle 12 core
<10~≤20 ±0.2			PART NO E10024-12A000000
<20~≤50 ±0.5			DRAWING NO E10P-BF1-P12
Angle ±1°	UNIT	REV	
	MM	A	
	SIZE	SHEET	
	A4	1 OF 1	

