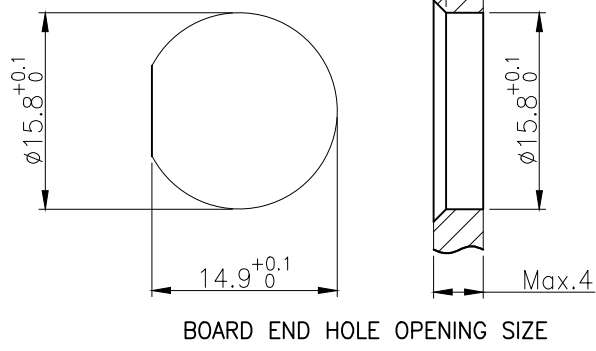
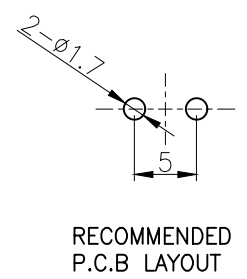
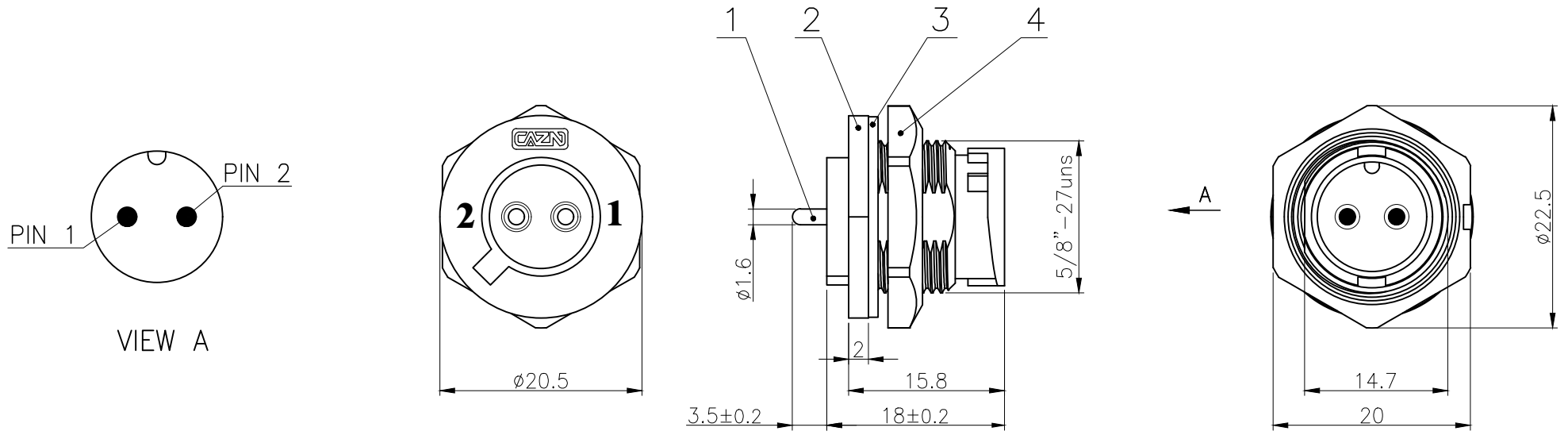


Rev.	Change Description	ECN #	Date



No.	Specification	Material	Treat	Unit	Q'ty
4	E10 Plastic hexagon nut 5/8"-27uns	Nylon	/	pc	1
3	E10 Waterproof sealing gasket $\phi 20.3 \times \phi 15.4 - 1$	NBR	/	pc	1
2	E10 Card buckle type panel back needle type socket shell (2 core C code)	Nylon	/	pc	1
1	E Type Male contact pin	Brass	Gold pated	pc	2

Technical specifications:		Materials:	
Coupling:	Card buckle connection	Shell material:	PA66+GF UL94 black
Termination:	Dip solder	Contact material:	Brass Gold plated
Pollution degree:	3	Insert material:	PA66+GF UL94 black
Temperature range:	-45°C ~ +105°C	Sealing:	NBR
Degree of protection:	IP67		
Mating cycles:	≥500		
Rated voltage:	125V AC/DC		
Rated current:	10A		
All s are RoHS compliant			

GENERAL TOLERANCE (UNLESS SPECIFIED)		DATE	
≤10	±0.1	DWN L.L 2022.8.15	
<10~≤20	±0.2	CHK DATE	
<20~≤50	±0.5	APVD DATE	TITLE E10 Male Back Mount PCB Receptacle 2 core C code
Angle	±1°		PART NO E10024-02C000000
	UNIT MM	REV A	DRAWING NO E10P-CF1-P2C
	SIZE A4	SHEET 1 OF 1	