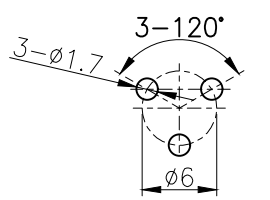
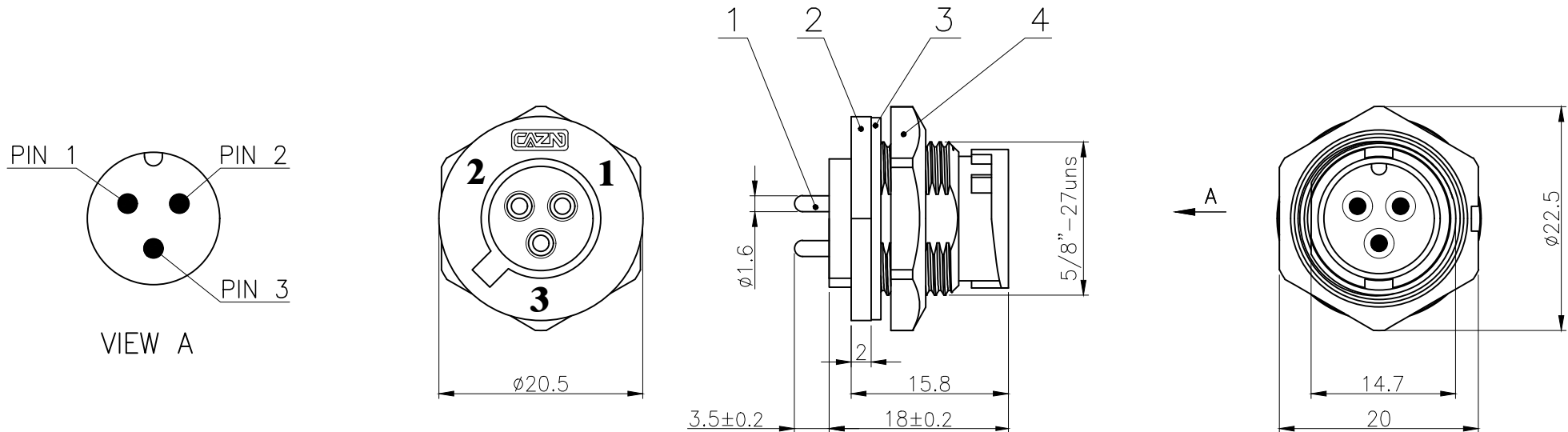
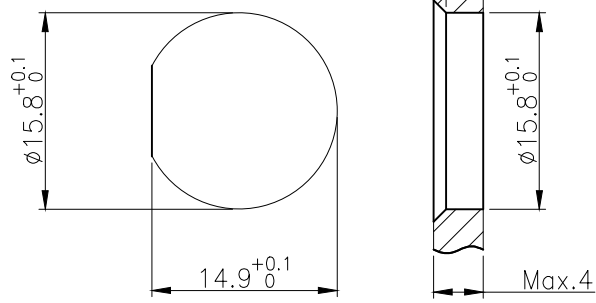


Rev.	Change Description	ECN #	Date



RECOMMENDED P.C.B LAYOUT



BOARD END HOLE OPENING SIZE

4	E10 Plastic hexagon nut 5/8"-27uns	Nylon	/	pc	1
3	E10 Waterproof sealing gasket $\phi 20.3 \times \phi 15.4 - 1$	NBR	/	pc	1
2	E10 Card buckle type panel back needle type socket shell (3 core C code)	Nylon	/	pc	1
1	E Type Male contact pin	Brass	Gold pated	pc	3
No.	Specification	Material	Treat	Unit	Q'ty

Technical specifications:		Materials:	
Coupling:	Card buckle connection	Shell material:	PA66+GF UL94 black
Termination:	Dip solder	Contact material:	Brass Gold plated
Pollution degree:	3	Insert material:	PA66+GF UL94 black
Temperature range:	-45°C ~ +105°C	Sealing:	NBR
Degree of protection:	IP67		
Mating cycles:	≥500		
Rated voltage:	125V AC/DC		
Rated current:	10A		
All s are RoHS compliant			

GENERAL TOLERANCE (UNLESS SPECIFIED)	≤10	±0.1	DWN L.L	DATE	2022.8.15	
	<10~≤20	±0.2		CHK	DATE	
	<20~≤50	±0.5	APVD	DATE		
 THIRD ANGLE	UNIT	MM	REV	A	PART NO	E10024-03C000000
	SIZE	A4	SHEET	1 OF 1	DRAWING NO	E10P-CF1-P3C