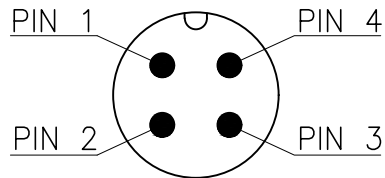
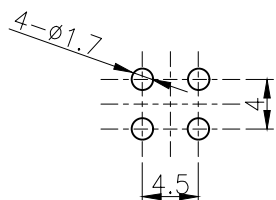
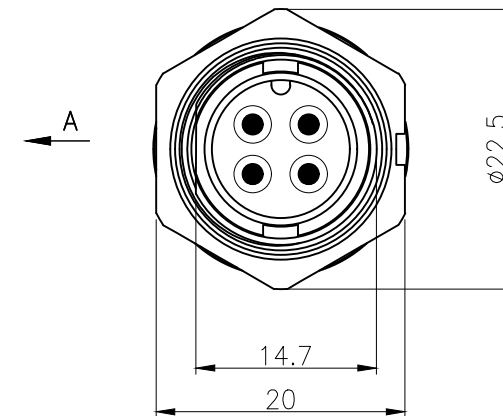
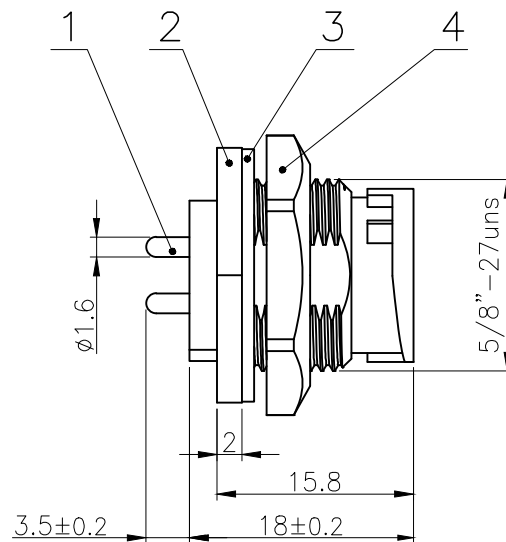
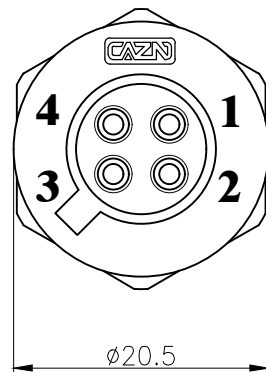


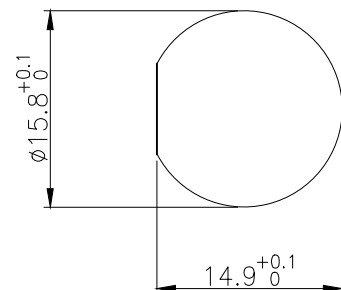
Rev.	Change Description	ECN #	Date



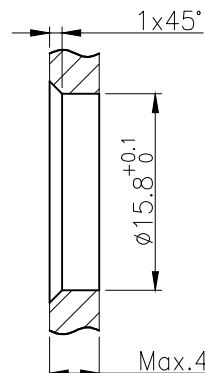
VIEW A



RECOMMENDED P.C.B LAYOUT



BOARD END HOLE OPENING SIZE



No.	Specification	Material	Treat	Unit	Q'ty
4	E10 Plastic hexagon nut 5/8"-27uns	Nylon	/	pc	1
3	E10 Waterproof sealing gasket $\phi 20.3 \times \phi 15.4 - 1$	NBR	/	pc	1
2	E10 Card buckle type panel back needle type socket shell (4 core C code)	Nylon	/	pc	1
1	E Type Male contact pin	Brass	Gold pated	pc	4

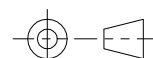
Technical specifications:

Materials:

Coupling:	Card buckle connection	Shell material:	PA66+GF UL94 black
Termination:	Dip solder	Contact material:	Brass Gold plated
Pollution degree:	3	Insert material:	PA66+GF UL94 black
Temperature range:	-45°C ~ +105°C	Sealing:	NBR
Degree of protection:	IP67		
Mating cycles:	≥500		
Rated voltage:	125V AC/DC		
Rated current:	10A		

All s are RoHS compliant

GENERAL TOLERANCE (UNLESS SPECIFIED)	DWN	DATE		
	LL	2022.8.15		
	CHK	DATE		
≤10 ±0.1	APVD	DATE	TITLE	E10 Male Back Mount PCB Receptacle 4 core C code
<10~≤20 ±0.2			PART NO	E10024-04C000000
<20~≤50 ±0.5			DRAWING NO	E10P-CF1-P4C
Angle ±1°	UNIT	REV		
	MM	A		
	SIZE	SHEET		
	A4	1 OF 1		



THIRD ANGLE