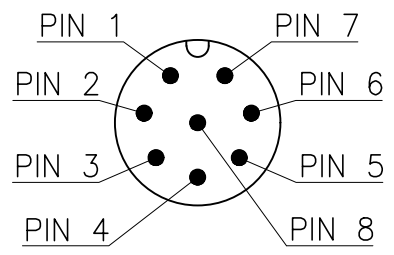
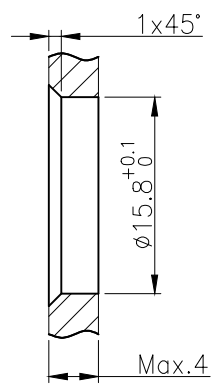
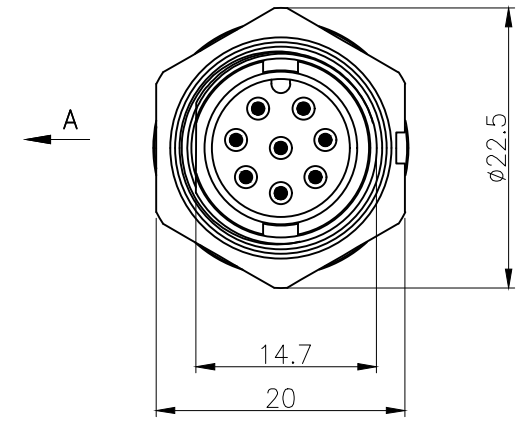
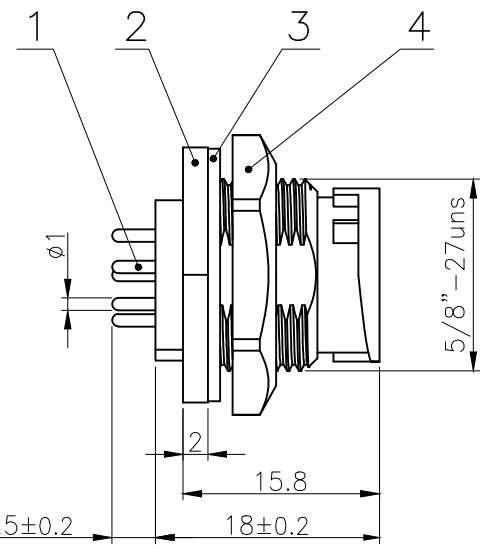
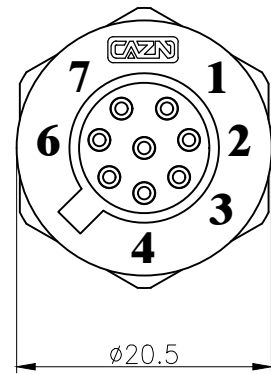


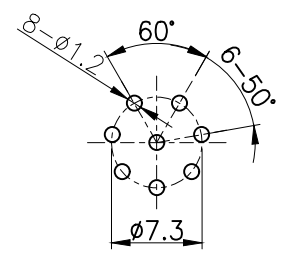
Rev.	Change Description	ECN #	Date



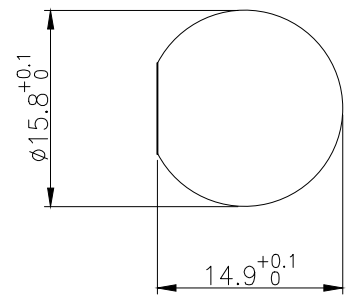
VIEW A



BOARD END HOLE
OPENING SIZE



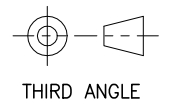
RECOMMENDED
P.C.B LAYOUT



4	E10 Plastic hexagon nut 5/8"-27uns	Nylon	/	pc	1
3	E10 Waterproof sealing gasket $\phi 20.3 \times \phi 15.4 - 1$	NBR	/	pc	1
2	E10 Card buckle type panel back needle type socket shell (8 core)	Nylon	/	pc	1
1	E Type Male contact pin	Brass	Gold pated	pc	8
No.	Specification	Material	Treat	Unit	Q'ty

Technical specifications:		Materials:	
Coupling:	Card buckle connection	Shell material:	PA66+GF UL94 black
Termination:	Dip solder	Contact material:	Brass Gold plated
Pollution degree:	3	Insert material:	PA66+GF UL94 black
Temperature range:	-45°C ~ +105°C	Sealing:	NBR
Degree of protection:	IP67		
Mating cycles:	≥ 500		
Rated voltage:	60V AC/DC		
Rated current:	5A		
All s are RoHS compliant			

GENERAL TOLERANCE (UNLESS SPECIFIED)	DWN	DATE	
	LL	2022.8.15	
	CHK	DATE	
≤ 10	± 0.1	APVD	DATE
$< 10 \sim \leq 20$	± 0.2	TITLE E10 Male Back Mount PCB Receptacle 8 core	
$< 20 \sim \leq 50$	± 0.5	PART NO E10024-08A000000	
Angle	$\pm 1^\circ$	UNIT	REV
		MM	A
		SIZE	SHEET
		A4	1 OF 1
		DRAWING NO E10P-BF1-P8	



THIRD ANGLE