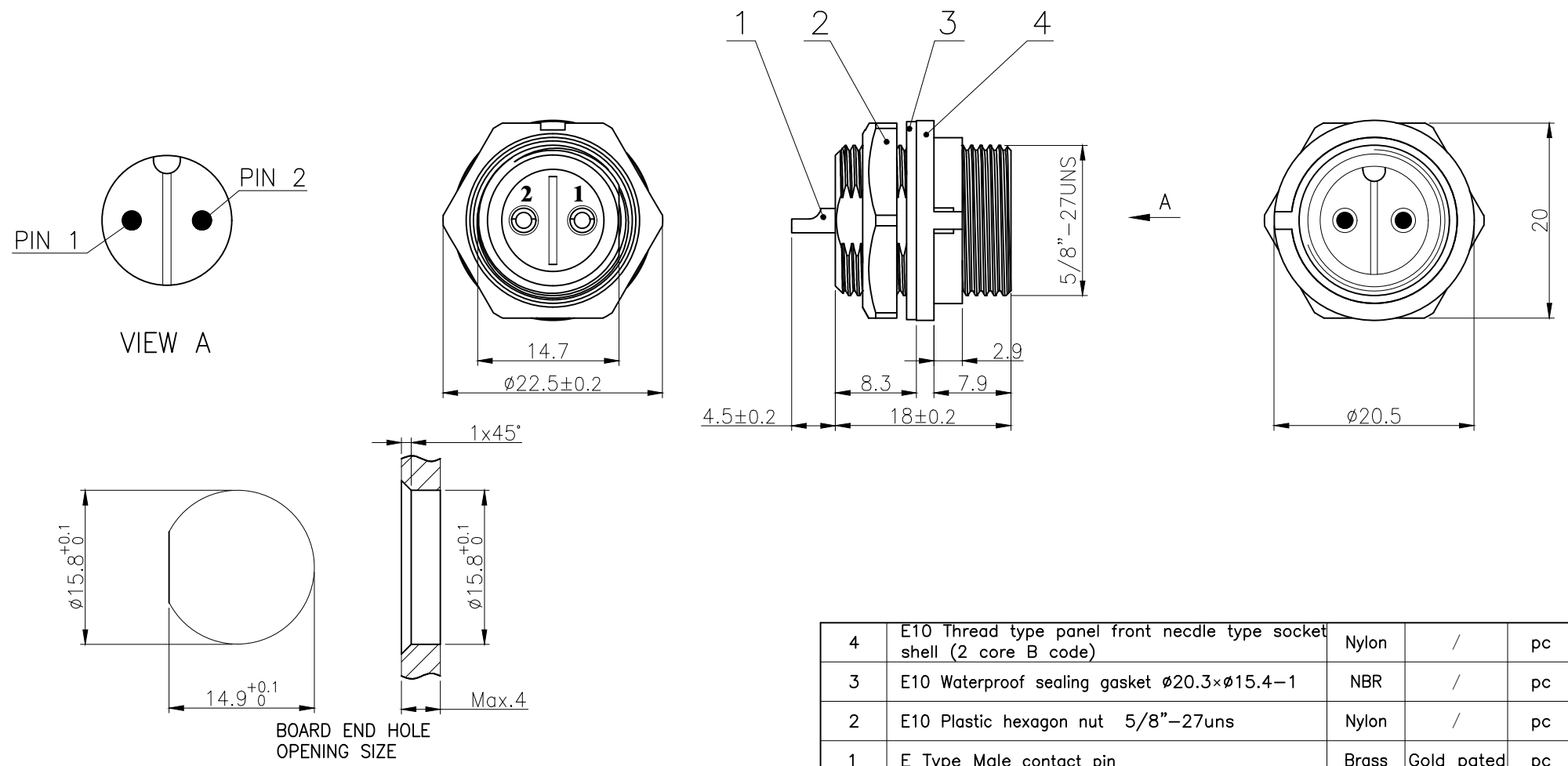


Rev.	Change Description	ECN #	Date



Technical specifications:		Materials:	
Coupling:	Threaded connection	Shell material:	PA66+GF UL94 black
Termination:	Soldering	Contact material:	Brass Gold plated
Pollution degree:	3	Insert material:	PA66+GF UL94 black
Temperature range:	-45°C ~ +105°C	Sealing:	NBR
Degree of protection:	IP67		
Mating cycles:	≥500		
Rated voltage:	300V AC/DC		
Rated current:	10A		
All parts are RoHS compliant			

4	E10 Thread type panel front needle type socket shell (2 core B code)	Nylon	/	pc	1
3	E10 Waterproof sealing gasket $\phi 20.3 \times \phi 15.4 - 1$	NBR	/	pc	1
2	E10 Plastic hexagon nut 5/8"-27uns	Nylon	/	pc	1
1	E Type Male contact pin	Brass	Gold pated	pc	2
No.	Specification	Material	Treat	Unit	Q'ty
GENERAL TOLERANCE (UNLESS SPECIFIED)		DATE			
≤10	±0.1	DWN		2022.8.15	
<10~≤20	±0.2	CHK		DATE	
<20~≤50	±0.5	APVD		DATE	
Angle	±1°				
THIRD ANGLE		UNIT	REV	TITLE	
		MM	A	E10 Male Front Mount Solder Receptacle 2 core B code	
		SIZE	SHEET	PART NO	
		A4	1 OF 1	E10006-02B000000	
		DRAWING NO		E10P-TB-P2B	

