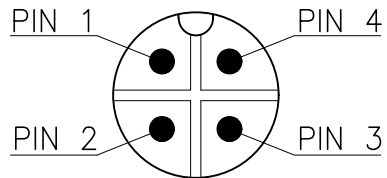
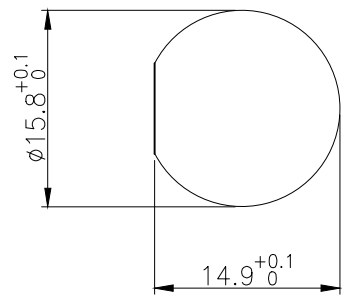
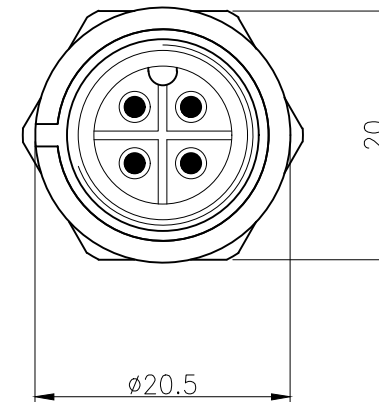
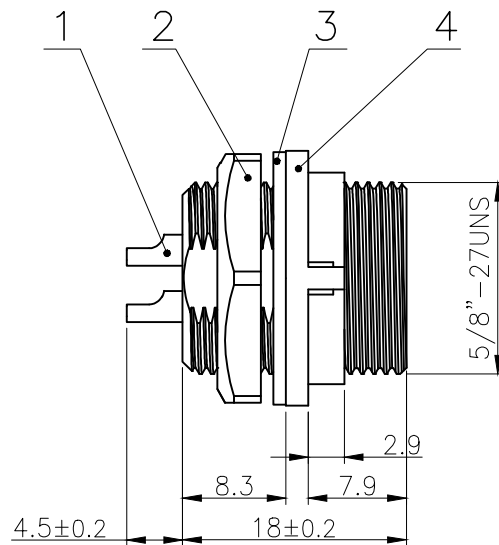
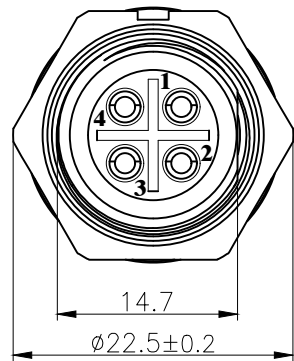


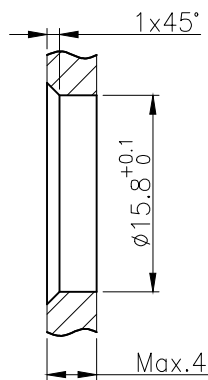
Rev.	Change Description	ECN #	Date



VIEW A




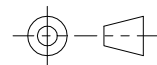
BOARD END HOLE
OPENING SIZE



No.	Specification	Material	Treat	Unit	Q'ty
4	E10 Thread type panel front needle type socket shell (4 core B code)	Nylon	/	pc	1
3	E10 Waterproof sealing gasket $\phi 20.3 \times \phi 15.4 - 1$	NBR	/	pc	1
2	E10 Plastic hexagon nut 5/8"-27uns	Nylon	/	pc	1
1	E Type Male contact pin	Brass	Gold pated	pc	4

Technical specifications:		Materials:	
Coupling:	Threaded connection	Shell material:	PA66+GF UL94 black
Termination:	Soldering	Contact material:	Brass Gold plated
Pollution degree:	3	Insert material:	PA66+GF UL94 black
Temperature range:	-45°C ~ +105°C	Sealing:	NBR
Degree of protection:	IP67		
Mating cycles:	≥500		
Rated voltage:	300V AC/DC		
Rated current:	10A		

All parts are RoHS compliant

GENERAL TOLERANCE (UNLESS SPECIFIED)	≤10	±0.1	DWN	DATE	
	<10~≤20	±0.2	CHK	DATE	
	<20~≤50	±0.5	APVD	DATE	
Angle	±1°		UNIT	REV	TITLE
 THIRD ANGLE	MM	A	PART NO	E10006-04B000000	
	A4	1 OF 1	DRAWING NO	E10P-TB-P4B	