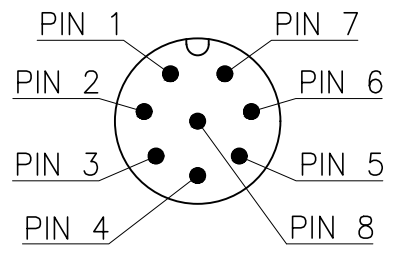
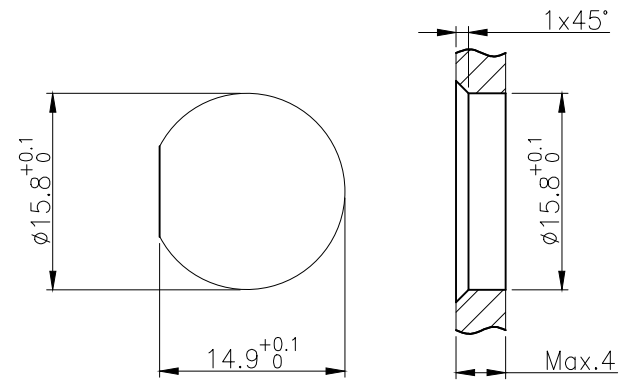
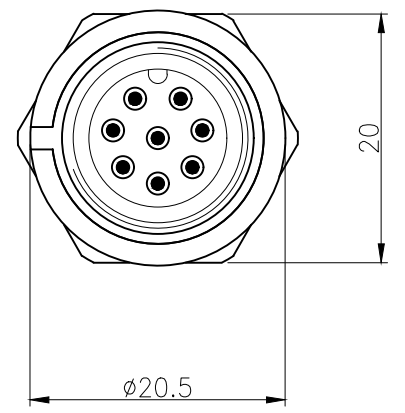
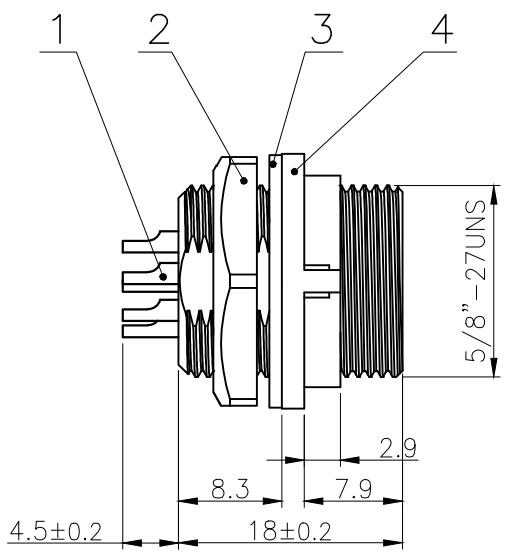
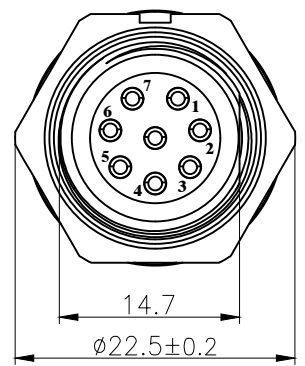


Rev.	Change Description	ECN #	Date




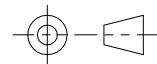
VIEW A



BOARD END HOLE  
OPENING SIZE

No.	Specification	Material	Treat	Unit	Q'ty
4	E10 Thread type panel front needle type socket shell (8 core)	Nylon	/	pc	1
3	E10 Waterproof sealing gasket $\phi 20.3 \times \phi 15.4 - 1$	NBR	/	pc	1
2	E10 Plastic hexagon nut 5/8"-27uns	Nylon	/	pc	1
1	E Type Male contact pin	Brass	Gold pated	pc	8

Technical specifications:		Materials:	
Coupling:	Threaded connection	Shell material:	PA66+GF UL94 black
Termination:	Soldering	Contact material:	Brass Gold plated
Pollution degree:	3	Insert material:	PA66+GF UL94 black
Temperature range:	-45°C ~ +105°C	Sealing:	NBR
Degree of protection:	IP67		
Mating cycles:	≥500		
Rated voltage:	60V AC/DC		
Rated current:	5A		

GENERAL TOLERANCE (UNLESS SPECIFIED)	≤10	±0.1	DWN	DATE	
	<10~≤20	±0.2		LL	
	<20~≤50	±0.5	CHK	DATE	
Angle	±1°	APVD	DATE	TITLE	E10 Male Front Mount Solder Receptacle 8 core
 THIRD ANGLE	UNIT	REV	PART NO	E10006-08A000000	
	MM	A			
SIZE	A4	SHEET	DRAWING NO		
		1 OF 1	E10P-TB-P8		

All parts are RoHS compliant