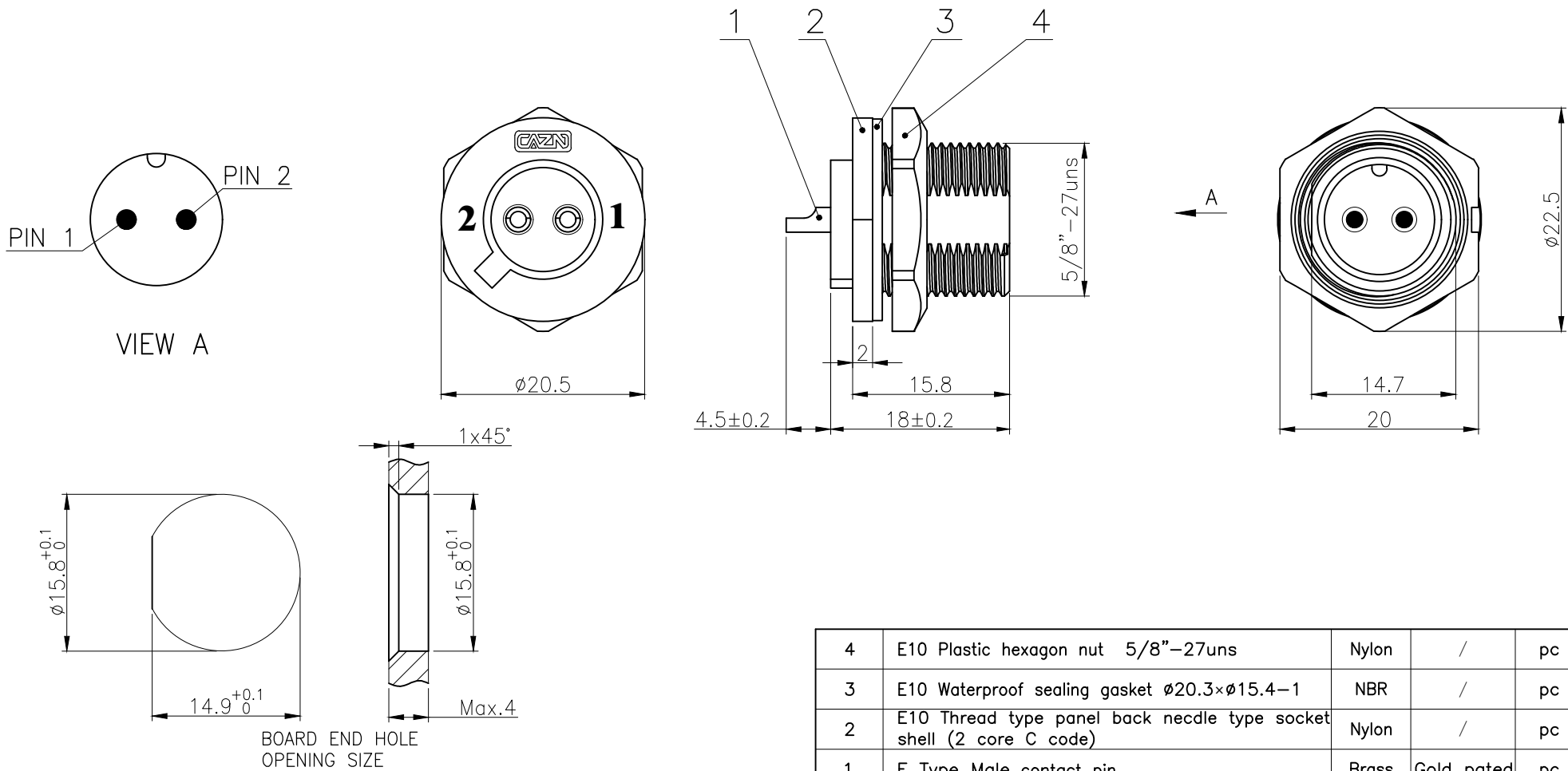


| Rev. | Change Description | ECN # | Date |
|------|--------------------|-------|------|
| | | | |



| 4 | E10 Plastic hexagon nut 5/8"-27uns | Nylon | / | pc | 1 |
|-----|---|----------|------------|------|------|
| 3 | E10 Waterproof sealing gasket $\phi 20.3 \times \phi 15.4 - 1$ | NBR | / | pc | 1 |
| 2 | E10 Thread type panel back needle type socket shell (2 core C code) | Nylon | / | pc | 1 |
| 1 | E Type Male contact pin | Brass | Gold pated | pc | 2 |
| No. | Specification | Material | Treat | Unit | Q'ty |

| Technical specifications: | | Materials: | |
|---------------------------|---------------------|-------------------|--------------------|
| Coupling: | Threaded connection | Shell material: | PA66+GF UL94 black |
| Termination: | Soldering | Contact material: | Brass Gold plated |
| Pollution degree: | 3 | Insert material: | PA66+GF UL94 black |
| Temperature range: | -45°C ~ +105°C | Sealing: | NBR |
| Degree of protection: | IP67 | | |
| Mating cycles: | ≥500 | | |
| Rated voltage: | 125V AC/DC | | |
| Rated current: | 10A | | |

| | | | |
|--------------------------------------|--------|-------------|---|
| GENERAL TOLERANCE (UNLESS SPECIFIED) | DWN | DATE | |
| | LL | 2022.8.15 | |
| | CHK | DATE | |
| ≤10 ±0.1 | APVD | DATE | TITLE E10 Male Back Mount Solder Receptacle 2 core C code |
| <10~≤20 ±0.2 | | | |
| <20~≤50 ±0.5 | | | |
| Angle ±1° | | | |
| THIRD ANGLE | UNIT | REV | PART NO |
| | MM | A | E10007-02C000000 |
| | SIZE | SHEET | DRAWING NO |
| A4 | 1 OF 1 | E10P-TF-P2C | |

All parts are RoHS compliant