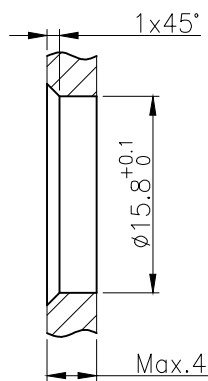
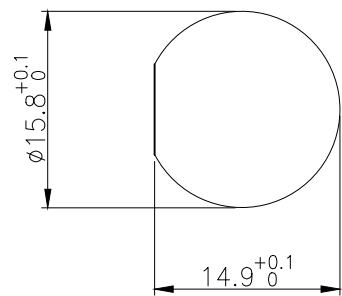
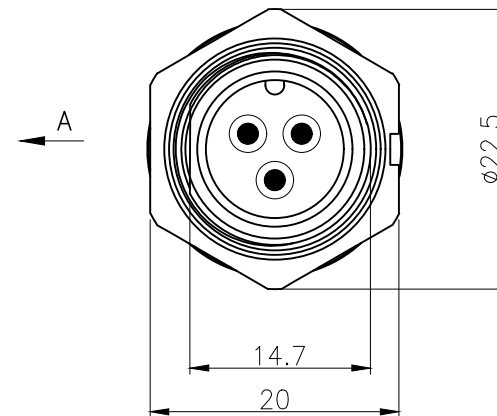
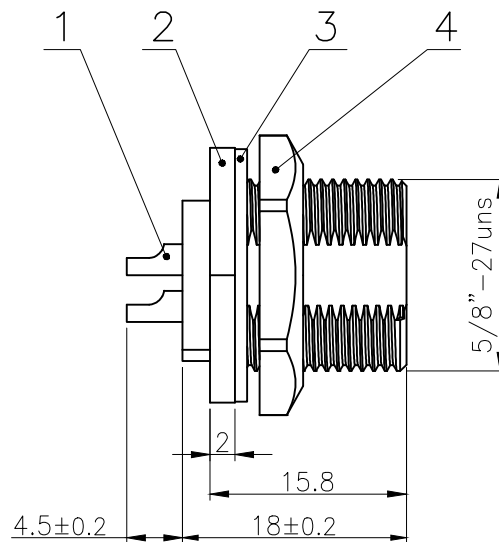
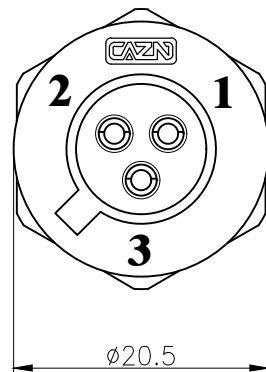
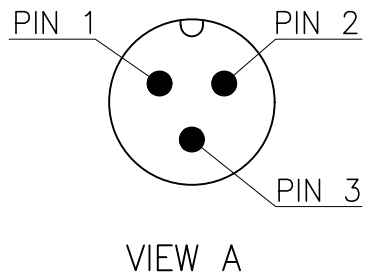


Rev.	Change Description	ECN #	Date



BOARD END HOLE
OPENING SIZE

4	E10 Plastic hexagon nut 5/8"-27uns	Nylon	/	pc	1
3	E10 Waterproof sealing gasket $\phi 20.3 \times \phi 15.4 - 1$	NBR	/	pc	1
2	E10 Thread type panel back needle type socket shell (3 core C code)	Nylon	/	pc	1
1	E Type Male contact pin	Brass	Gold pated	pc	3
No.	Specification	Material	Treat	Unit	Q'ty

Technical specifications:		Materials:	
Coupling:	Threaded connection	Shell material:	PA66+GF UL94 black
Termination:	Soldering	Contact material:	Brass Gold plated
Pollution degree:	3	Insert material:	PA66+GF UL94 black
Temperature range:	-45°C ~ +105°C	Sealing:	NBR
Degree of protection:	IP67		
Mating cycles:	≥500		
Rated voltage:	125V AC/DC		
Rated current:	10A		

All s are RoHS compliant

GENERAL TOLERANCE (UNLESS SPECIFIED)	≤10	±0.1	DWN	DATE	
	<10~≤20	±0.2	CHK	DATE	
	<20~≤50	±0.5	APVD	DATE	
	Angle	±1°			TITLE E10 Male Back Mount Solder Receptacle 3 core C code
 THIRD ANGLE	UNIT	MM	REV	A	PART NO E10007-03C000000
	SIZE	A4	SHEET	1 OF 1	DRAWING NO E10P-TF-P3C