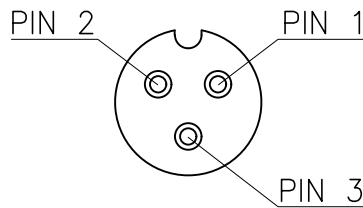
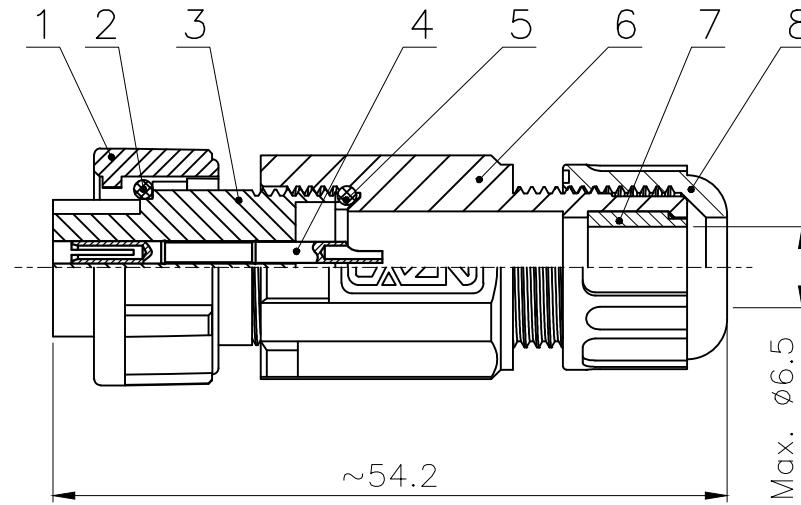
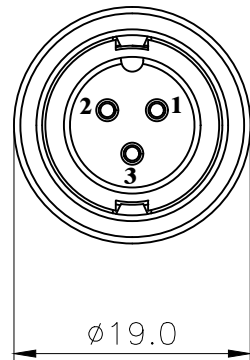


| Rev. | Change Description | ECN # | Date |
|------|--------------------|-------|------|
| | | | |


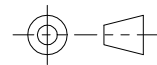


VIEW A

| No. | Specification | Material | Treat | Unit | Q'ty |
|-----|---|-----------------|-------------|------|------|
| 8 | Line lock nut | Nylon | / | pc | 1 |
| 7 | Assembled waterproof rubber plug | silica gel | / | pc | 1 |
| 6 | E10 Plug type body | Nylon | / | pc | 1 |
| 5 | Waterproof sealing O-rind | NBR | / | pc | 1 |
| 4 | E type Female contact pin | Phosphor Copper | Gold plated | pc | 3 |
| 3 | E10 Hole type socket shell (3 core) | Nylon | / | pc | 1 |
| 2 | E10 Insulator O ring $\phi 12 \times \phi 9 \times 1.5$ | NBR | / | pc | 1 |
| 1 | E10 Clasp buckle type connecting nut | Nylon | / | pc | 1 |

| Technical specifications: | | Materials: | |
|---------------------------|------------------------|-------------------|-----------------------------|
| Coupling: | Card buckle connection | Shell material: | PA66+GF UL94 black |
| Termination: | Soldering | Contact material: | Phosphor Copper Gold plated |
| Pollution degree: | 3 | Insert material: | PA66+GF UL94 black |
| Temperature range: | -45°C ~ +105°C | Sealing: | NBR |
| Degree of protection: | IP67 | | |
| Mating cycles: | ≥500 | | |
| Rated voltage: | 60V AC/DC | | |
| Rated current: | 5A | | |

All parts are RoHS compliant

| | | | |
|--|------|-----------|---|
| GENERAL TOLERANCE (UNLESS SPECIFIED) | DWN | DATE |  |
| | LL | 2022.8.15 | |
| | CHK | DATE | |
| | APVD | DATE | TITLE E10 Straight Female Field Installable Plug (3 core) |
|  THIRD ANGLE | UNIT | REV | PART NO |
| | MM | A | E10017-03A000000 |
| | SIZE | SHEET | DRAWING NO |
| | A4 | 1 OF 1 | E10P-BA1-S3 |