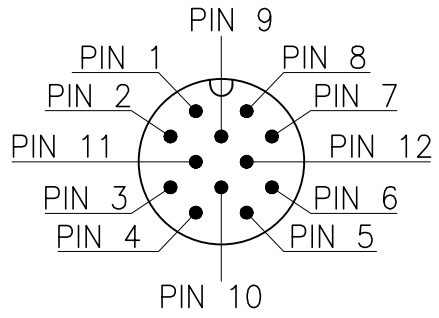
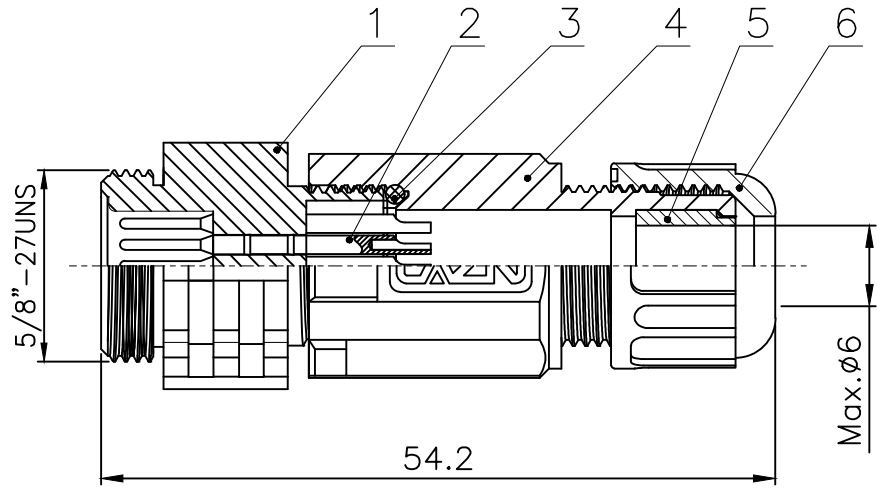
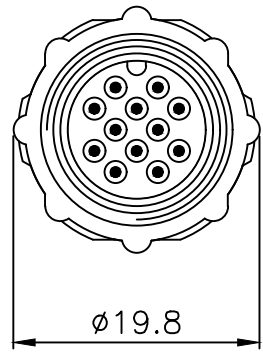


Rev.	Change Description	ECN #	Date


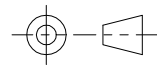


VIEW A

Technical specifications:		Materials:	
Coupling:	Threaded connection	Shell material:	PA66+GF UL94 black
Termination:	Soldering	Contact material:	Brass Gold plated
Pollution degree:	3	Insert material:	PA66+GF UL94 black
Temperature range:	-45°C ~ +105°C	Sealing:	NBR
Degree of protection:	IP67		
Mating cycles:	≥500		
Rated voltage:	30V AC/DC		
Rated current:	2A		

All parts are RoHS compliant

No.	Specification	Material	Treat	Unit	Q'ty
6	Line lock nut	Nylon	/	pc	1
5	Assembled waterproof rubber plug	silica gel	/	pc	1
4	E10 Plug type body	Nylon	/	pc	1
3	Waterproof sealing O-ring	NBR	/	pc	1
2	E Type Male contact pin	Brass	Gold pated	pc	12
1	E10 Thread type needle type pair connector shell (12 core)	Nylon	/	pc	1

GENERAL TOLERANCE (UNLESS SPECIFIED)	≤10	±0.1	DWN	DATE	
	<10~≤20	±0.2		LL	
	<20~≤50	±0.5	CHK	DATE	
Angle	±1°		APVD	DATE	TITLE E10 Straight Male Field Installable Mating Plug 12 core
 THIRD ANGLE	UNIT	MM	REV	A	PART NO
	SIZE	A4	SHEET	1 OF 1	DRAWING NO E10P-TK1-P12