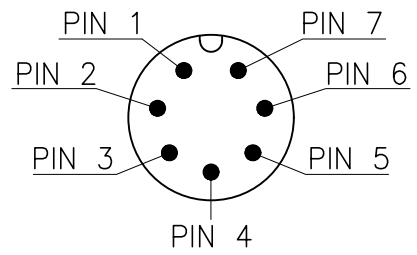
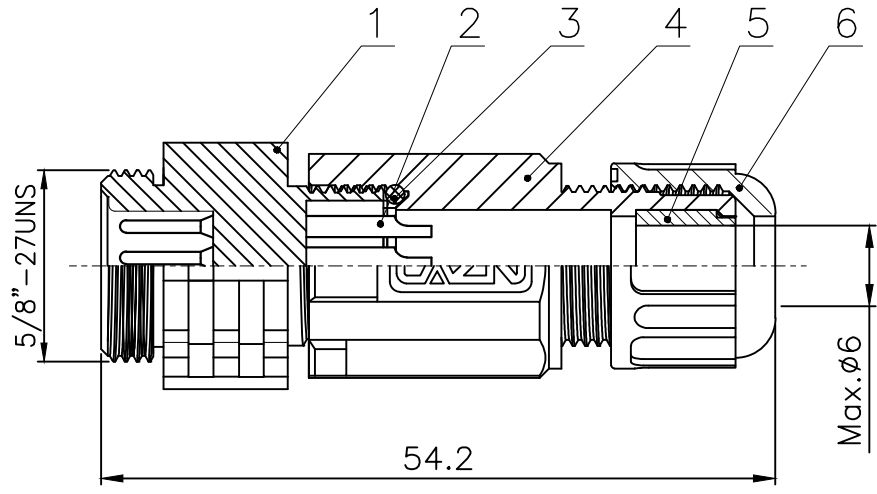
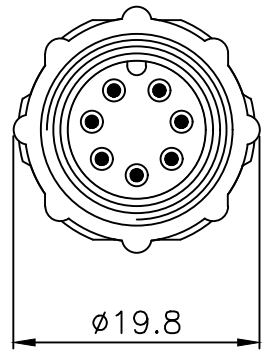


Rev.	Change Description	ECN #	Date




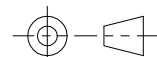
VIEW A

No.	Specification	Material	Treat	Unit	Q'ty
6	Line lock nut	Nylon	/	pc	1
5	Assembled waterproof rubber plug	silica gel	/	pc	1
4	E10 Plug type body	Nylon	/	pc	1
3	Waterproof sealing O-ring	NBR	/	pc	1
2	E Type Male contact pin	Brass	Gold pated	pc	7
1	E10 Thread type needle type pair conector shell (7 core)	Nylon	/	pc	1

Technical specifications:		Materials:	
Coupling:	Threaded connection	Shell material:	PA66+GF UL94 black
Termination:	Soldering	Contact material:	Brass Gold plated
Pollution degree:	3	Insert material:	PA66+GF UL94 black
Temperature range:	-45°C ~ +105°C	Sealing:	NBR
Degree of protection:	IP67		
Mating cycles:	≥500		
Rated voltage:	60V AC/DC		
Rated current:	5A		

All parts are RoHS compliant

GENERAL TOLERANCE (UNLESS SPECIFIED)	DWN	DATE	
	LL	2022.8.15	
	CHK	DATE	
≤10 ±0.1	APVD	DATE	TITLE E10 Straight Male Field Installable Mating Plug 7 core
<10~≤20 ±0.2			PART NO
<20~≤50 ±0.5			DRAWING NO
Angle ±1°	UNIT	REV	E10P-TK1-P7
	MM	A	
	SIZE	SHEET	
	A4	1 OF 1	



THIRD ANGLE