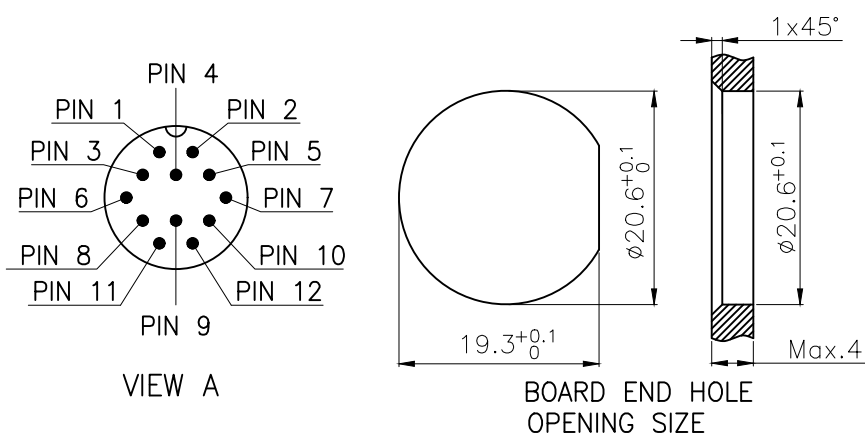
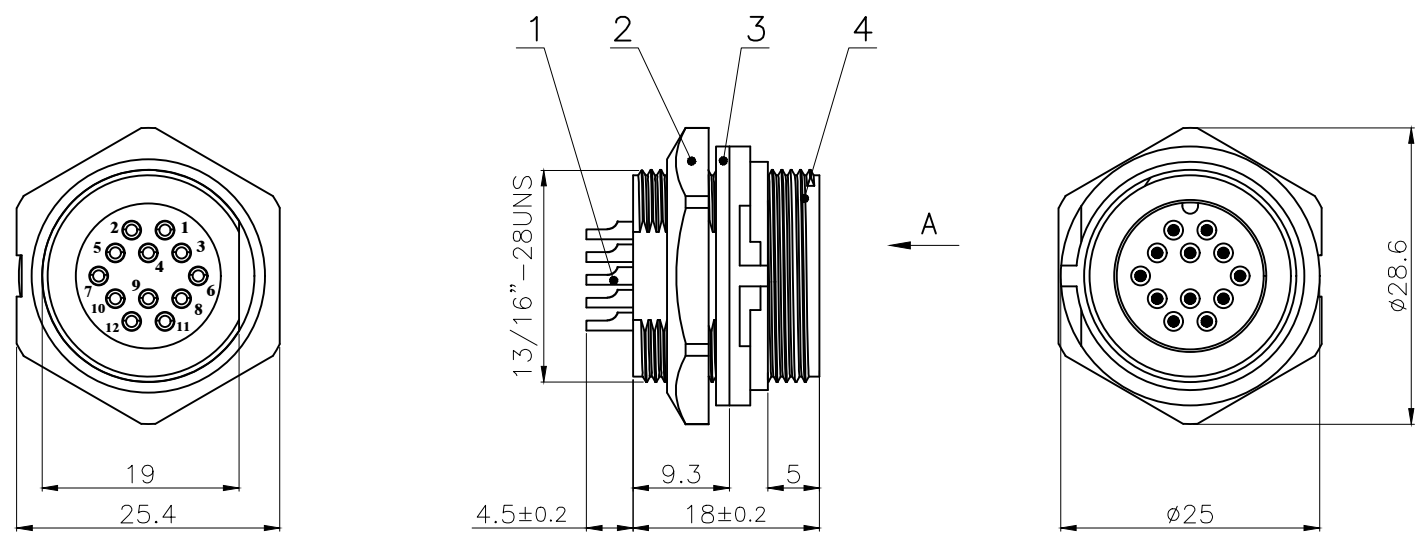


Rev.	Change Description	ECN #	Date



No.	Specification	Material	Treat	Unit	Q'ty
4	E13 panel front male socket shell (12 core)	Nylon	/	pc	1
3	E13 Waterproof sealing gasket	silica gel	/	pc	1
2	E13 Plastic hexagon nut	Nylon	/	pc	1
1	Male contact pin	Brass	Gold pated	pc	12

Technical specifications:		Materials:	
Coupling:	Card buckle connection	Shell material:	PA66+GF UL94 black
Termination:	Soldering	Contact material:	Brass Gold plated
Pollution degree:	3	Insert material:	PA66+GF UL94 black
Temperature range:	-45°C ~ +105°C	Sealing:	NBR
Degree of protection:	IP67		
Mating cycles:	≥500		
Rated voltage:	60V AC/DC		
Rated current:	5A		
All parts are RoHS compliant			

GENERAL TOLERANCE (UNLESS SPECIFIED)		DWN	DATE	
≤10	±0.1	L.L	2022.11.12	
<10~≤20	±0.2	CHK	DATE	
<20~≤50	±0.5	APVD	DATE	TITLE
Angle	±1°			
 THIRD ANGLE	UNIT	REV	PART NO	
	MM	A	E13022-12A000000	
	SIZE	SHEET	DRAWING NO	
	A4	1 OF 1	E13P-BB-P12	