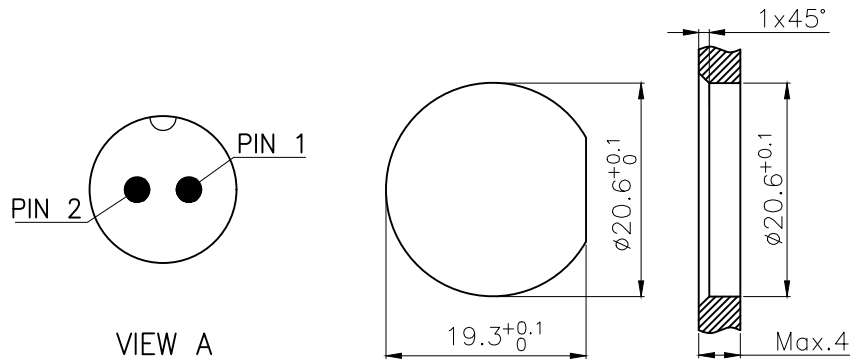
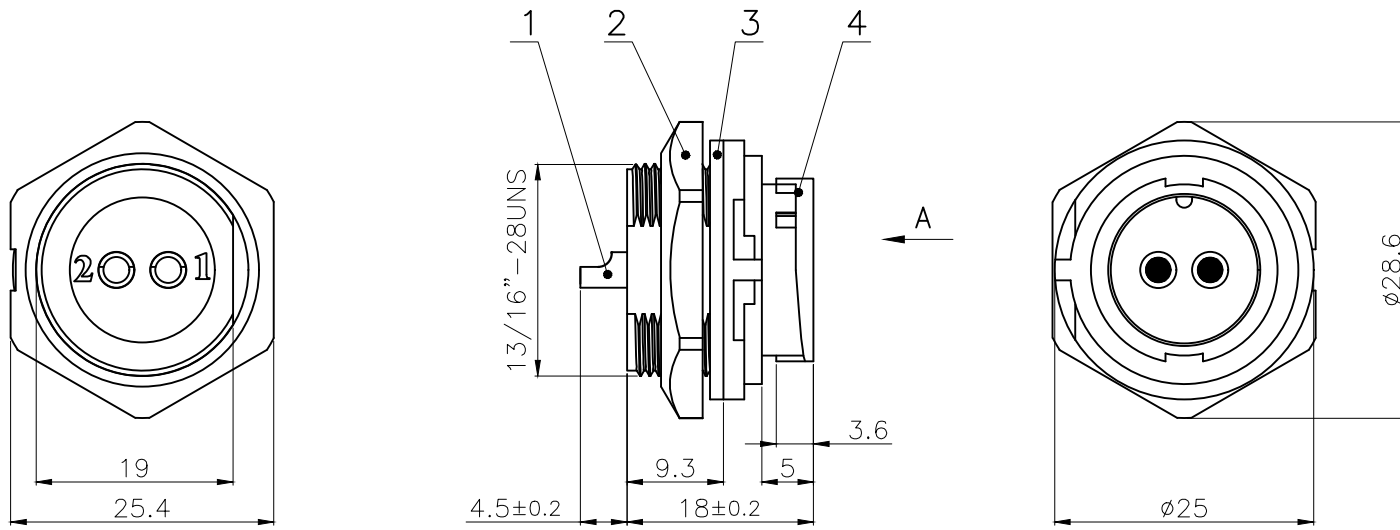


Rev.	Change Description	ECN #	Date



BOARD END HOLE
OPENING SIZE

Technical specifications:		Materials:	
Coupling:	Card buckle connection	Shell material:	PA66+GF UL94 black
Termination:	Soldering	Contact material:	Brass Gold plated
Pollution degree:	3	Insert material:	PA66+GF UL94 black
Temperature range:	-45°C ~ +105°C	Sealing:	NBR
Degree of protection:	IP67		
Mating cycles:	≥500		
Rated voltage:	125V AC/DC		
Rated current:	20A		

All parts are RoHS compliant

No.	Specification	Material	Treat	Unit	Q'ty
4	E13 panel front male socket shell (2 core)	Nylon	/	pc	1
3	E13 Waterproof sealing gasket	silica gel	/	pc	1
2	E13 Plastic hexagon nut	Nylon	/	pc	1
1	Male contact pin	Brass	Gold pated	pc	2

GENERAL TOLERANCE (UNLESS SPECIFIED)	≤10	±0.1	DWN L.L	DATE	
	<10~≤20	±0.2		DATE	
	<20~≤50	±0.5	APVD	DATE	
Angle	±1°		UNIT	REV	PART NO
 THIRD ANGLE	MM	A			E13022-02A000000
	SIZE	SHEET			DRAWING NO
	A4	1 OF 1			E13P-BB-P2