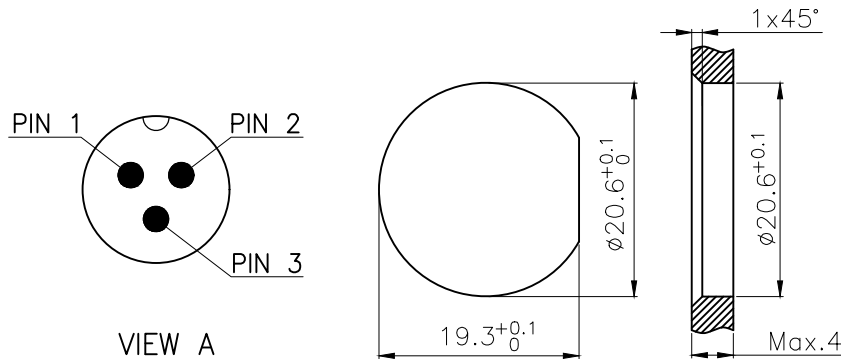
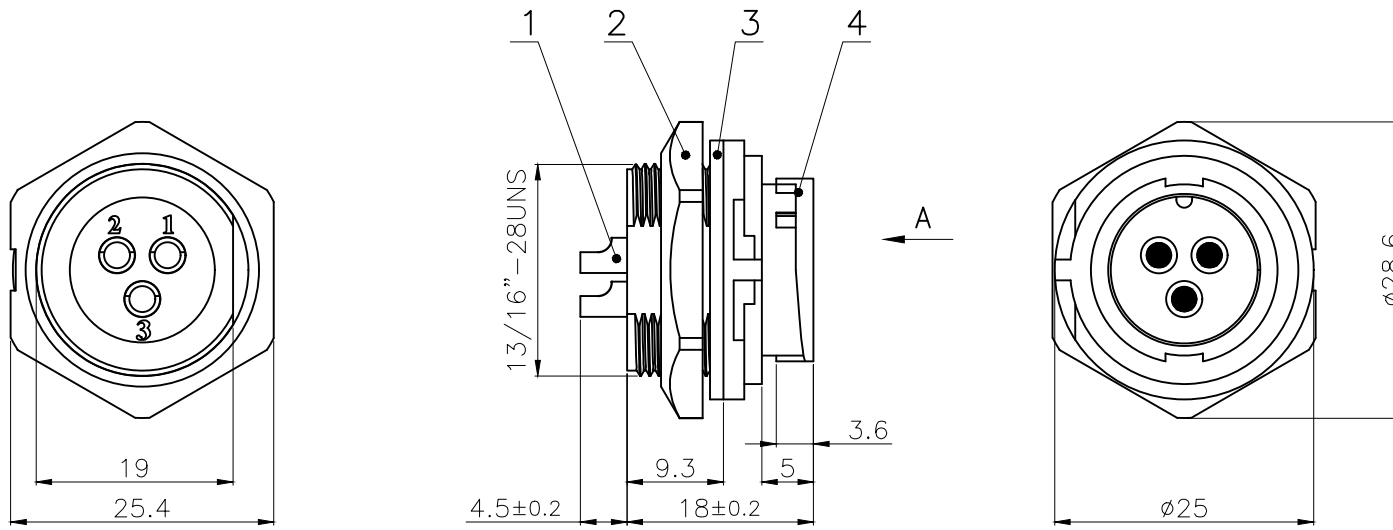


| Rev. | Change Description | ECN # | Date |
|------|--------------------|-------|------|
| | | | |



BOARD END HOLE
OPENING SIZE

| No. | Specification | Material | Treat | Unit | Q'ty |
|-----|--|------------|------------|------|------|
| 4 | E13 panel front male socket shell (3 core) | Nylon | / | pc | 1 |
| 3 | E13 Waterproof sealing gasket | silica gel | / | pc | 1 |
| 2 | E13 Plastic hexagon nut | Nylon | / | pc | 1 |
| 1 | Male contact pin | Brass | Gold pated | pc | 3 |

| Technical specifications: | | Materials: | |
|---------------------------|------------------------|-------------------|--------------------|
| Coupling: | Card buckle connection | Shell material: | PA66+GF UL94 black |
| Termination: | Soldering | Contact material: | Brass Gold plated |
| Pollution degree: | 3 | Insert material: | PA66+GF UL94 black |
| Temperature range: | -45°C ~ +105°C | Sealing: | NBR |
| Degree of protection: | IP67 | | |
| Mating cycles: | ≥500 | | |
| Rated voltage: | 125V AC/DC | | |
| Rated current: | 20A | | |

| GENERAL TOLERANCE (UNLESS SPECIFIED) | | DWN | DATE | |
|--------------------------------------|------|--------|------------------|-------|
| ≤10 | ±0.1 | L.L | 2022.11.12 | |
| <10~≤20 | ±0.2 | CHK | DATE | |
| <20~≤50 | ±0.5 | APVD | DATE | TITLE |
| Angle | ±1° | | | |
| | UNIT | REV | PART NO | |
| | MM | A | E13022-03A000000 | |
| | SIZE | SHEET | DRAWING NO | |
| | A4 | 1 OF 1 | E13P-BB-P3 | |

All s are RoHS compliant