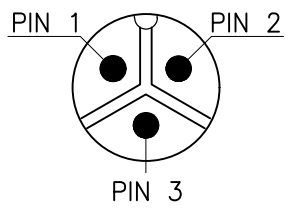
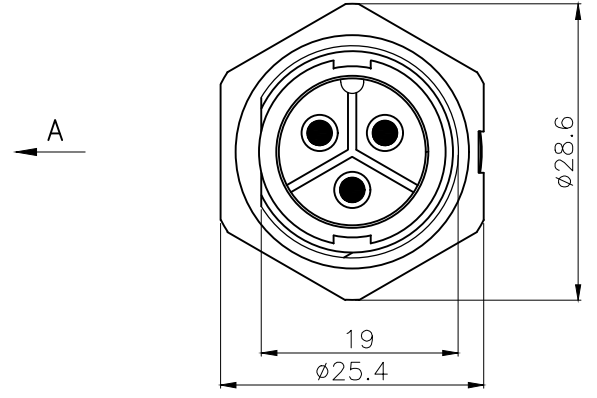
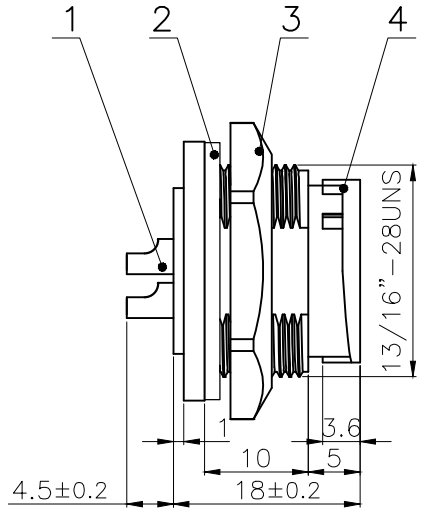
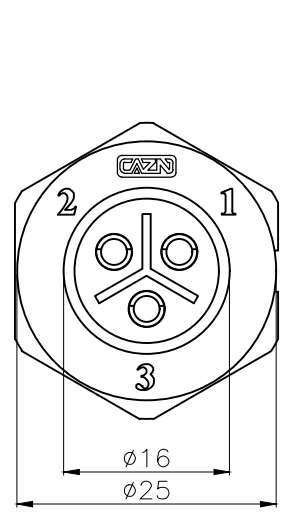
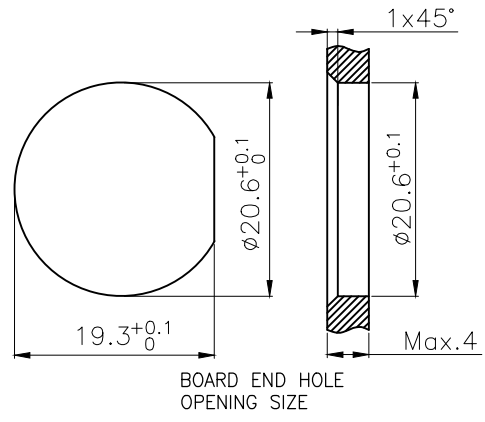


Rev.	Change Description	ECN #	Date



VIEW A

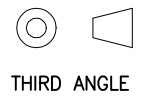


BOARD END HOLE OPENING SIZE

No.	Specification	Material	Treat	Unit	Q'ty
4	E13 panel back male socket shell (3 core B)	Nylon	/	pc	1
3	E13 Plastic hexagon nut	Nylon	/	pc	1
2	E13 Waterproof sealing gasket	silica gel	/	pc	1
1	Male contact pin	Brass	Gold pated	pc	3

Technical specifications:		Materials:	
Coupling:	Card buckle connection	Shell material:	PA66+GF UL94 black
Termination:	Soldering	Contact material:	Brass Gold plated
Pollution degree:	3	Insert material:	PA66+GF UL94 black
Temperature range:	-45°C ~ +105°C	Sealing:	NBR
Degree of protection:	IP67		
Mating cycles:	≥500		
Rated voltage:	300V AC/DC		
Rated current:	20A		
All s are RoHS compliant			

GENERAL TOLERANCE (UNLESS SPECIFIED)	DWN	DATE		
	L.L	2022.11.12		
	CHK	DATE		
≤10 ±0.1	APVD	DATE	TITLE	E13 Male Back Mount Solder Receptacle (3 core B)
<10~≤20 ±0.2			PART NO	E13023-03B000000
<20~≤50 ±0.5			DRAWING NO	E13P-BF-P3B
Angle ±1°	UNIT	REV		
	MM	A		
	SIZE	SHEET		
	A4	1 OF 1		



THIRD ANGLE