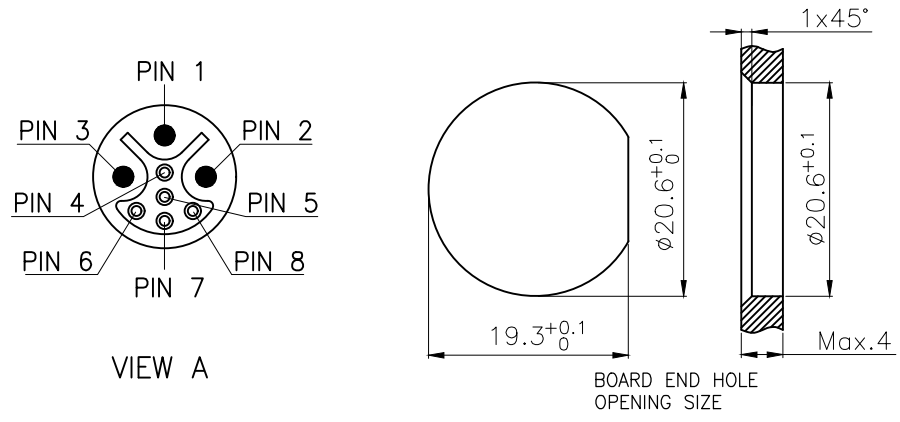
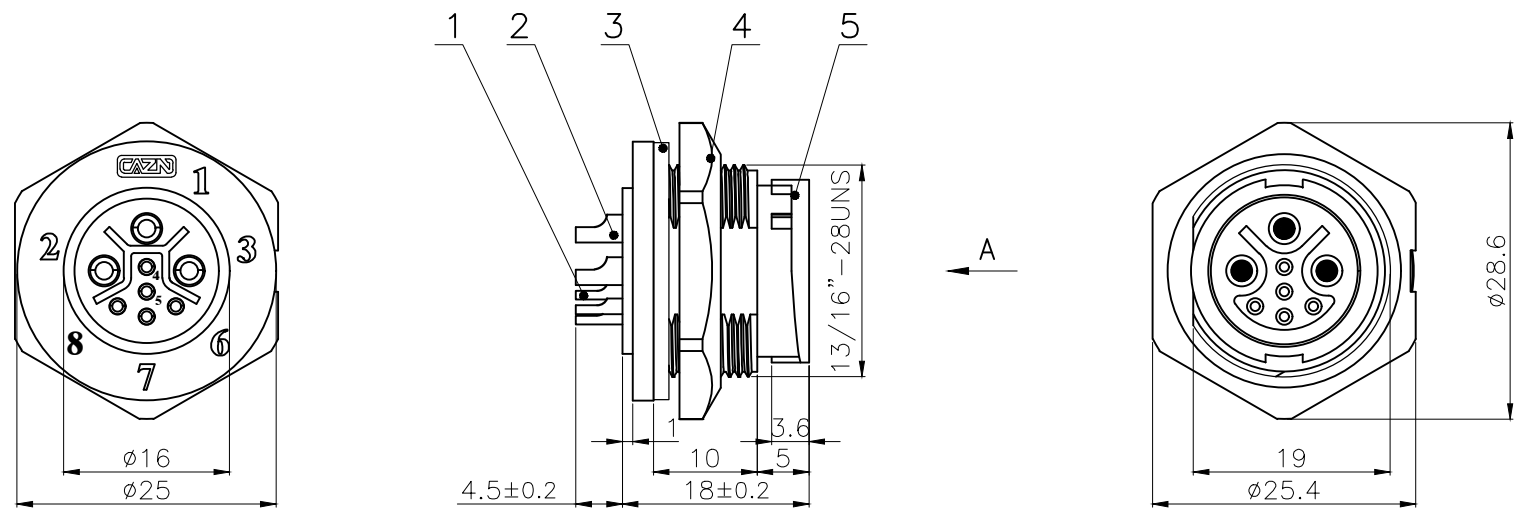



Rev.	Change Description	ECN #	Date



No.	Specification	Material	Treat	Unit	Q'ty
5	E13 panel back male socket shell (8 core C)	Nylon	/	pc	1
4	E13 Plastic hexagon nut	Nylon	/	pc	1
3	E13 Waterproof sealing gasket	silica gel	/	pc	1
2	Male contact pin	Brass	Gold pated	pc	3
1	Female contact pin	Brass	Gold pated	pc	5

Technical specifications:		Materials:	
Coupling:	Card buckle connection	Shell material:	PA66+GF UL94 black
Termination:	Soldering	Contact material:	Brass Gold plated
Pollution degree:	3	Insert material:	PA66+GF UL94 black
Temperature range:	-45°C ~ +105°C	Sealing:	NBR
Degree of protection:	IP67		
Mating cycles:	≥500		
Rated voltage:	125+30V AC/DC		
Rated current:	15+2A		
All s are RoHS compliant			

GENERAL TOLERANCE (UNLESS SPECIFIED) ≤10 ±0.1 <10~≤20 ±0.2 <20~≤50 ±0.5 Angle ±1°	DWN	DATE	
	L.L	2022.11.12	
	CHK	DATE	
	APVD	DATE	TITLE
			E13 Male Back Mount Solder Receptacle (8 core C)
	UNIT	REV	PART NO
	MM	A	E13023-08C000000
	SIZE	SHEET	DRAWING NO
	A4	1 OF 1	E13P-BF-P8C

