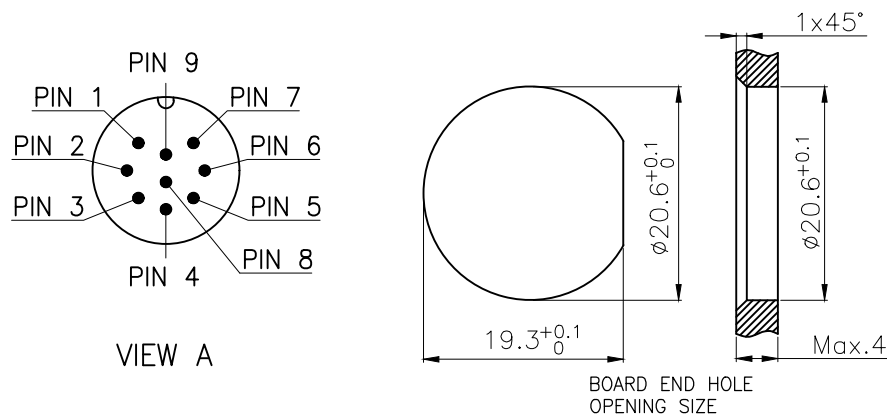
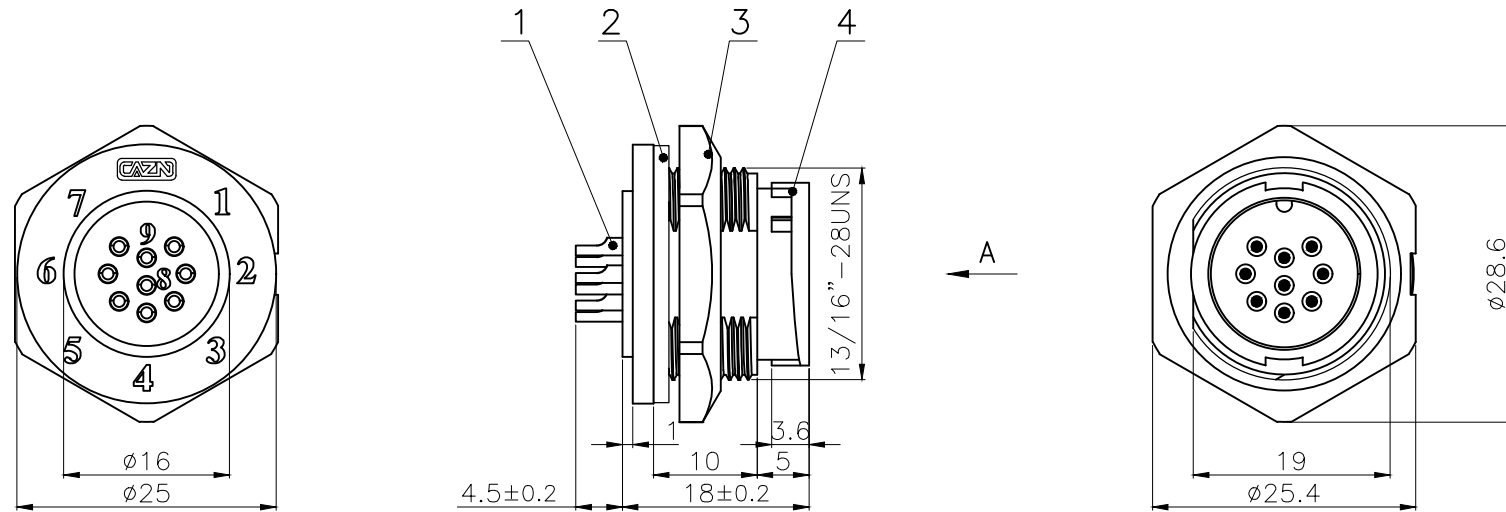


| Rev. | Change Description | ECN # | Date |
|------|--------------------|-------|------|
| | | | |

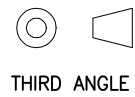


| No. | Specification | Material | Treat | Unit | Q'ty |
|-----|-------------------------------------------|------------|------------|------|------|
| 4 | E13 panel back male socket shell (9 core) | Nylon | / | pc | 1 |
| 3 | E13 Plastic hexagon nut | Nylon | / | pc | 1 |
| 2 | E13 Waterproof sealing gasket | silica gel | / | pc | 1 |
| 1 | Male contact pin | Brass | Gold pated | pc | 9 |

| Technical specifications: | | Materials: | |
|---------------------------|------------------------|-------------------|--------------------|
| Coupling: | Card buckle connection | Shell material: | PA66+GF UL94 black |
| Termination: | Soldering | Contact material: | Brass Gold plated |
| Pollution degree: | 3 | Insert material: | PA66+GF UL94 black |
| Temperature range: | -45°C ~ +105°C | Sealing: | NBR |
| Degree of protection: | IP67 | | |
| Mating cycles: | ≥500 | | |
| Rated voltage: | 60V AC/DC | | |
| Rated current: | 5A | | |

| | | | | |
|--------------------------------------|------|------------|----------------|------------------------------------------------|
| GENERAL TOLERANCE (UNLESS SPECIFIED) | DWN | DATE | CAZN 正成 | |
| | L.L | 2022.11.12 | | |
| | CHK | DATE | | |
| ≤10 ±0.1 | APVD | DATE | TITLE | E13 Male Back Mount Solder Receptacle (9 core) |
| <10~≤20 ±0.2 | | | PART NO | E13023-09A000000 |
| <20~≤50 ±0.5 | | | DRAWING NO | E13P-BF-P9 |
| Angle ±1° | UNIT | REV | | |
| | MM | A | | |
| | SIZE | SHEET | | |
| | A4 | 1 OF 1 | | |

All parts are RoHS compliant



THIRD ANGLE