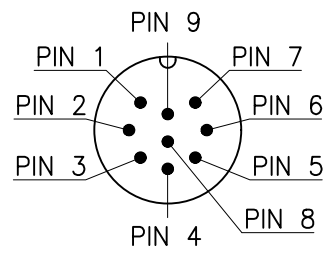
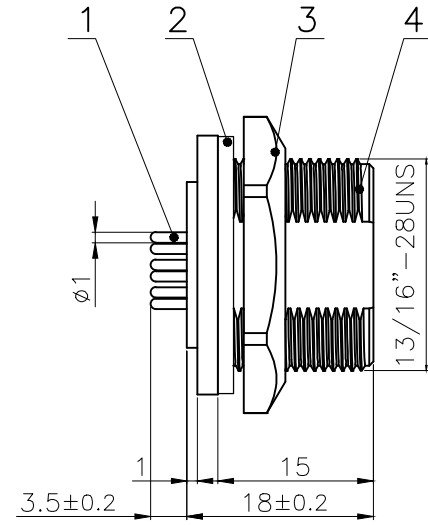
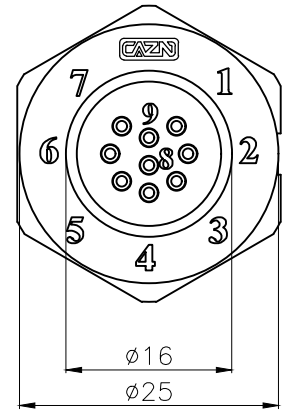


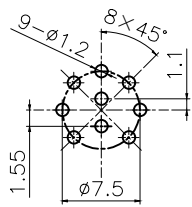
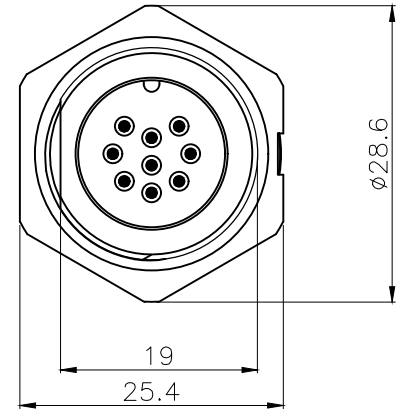
Rev.	Change Description	ECN #	Date



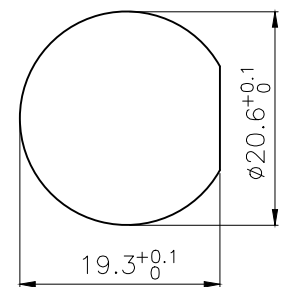
VIEW A



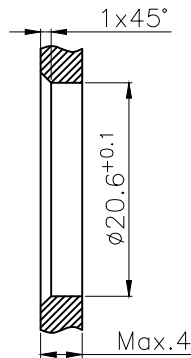
A ←



RECOMMENDED P.C.B LAYOUT



BOARD END HOLE OPENING SIZE



4	E13 Panel back male socket shell (9 core)	Nylon	/	pc	1
3	E13 plastic hexagon nut 13/16-28uns	silica gel	/	pc	1
2	E13 waterproof gasket φ24.8×φ20.6×1.5	NBR	/	pc	1
1	E series plug plate male pin	Brass	Gold plated	pc	9
No.	Specification	Material	Treat	Unit	Q'ty

Technical specifications:		Materials:	
Coupling:	Threaded connection	Shell material:	PA66+GF UL94 black
Termination:	Dip solder	Contact material:	Brass Gold plated
Pollution degree:	3	Insert material:	PA66+GF UL94 black
Temperature range:	-45°C ~ +105°C	Sealing:	NBR
Degree of protection:	IP67		
Mating cycles:	≥500		
Rated voltage:	60V AC/DC		
Rated current:	5A		

All materials are RoHS compliant

GENERAL TOLERANCE (UNLESS SPECIFIED)	≤10	±0.1	DWN	DATE	
	<10~≤20	±0.2	CHK	DATE	
	<20~≤50	±0.5	APVD	DATE	
	Angle	±1°			TITLE
 THIRD ANGLE	UNIT	REV	PART NO		
	MM	A	E13008-09A000000		
	SIZE	SHEET	DRAWING NO		
	A4	1 OF 1	E13P-TF1-P9		