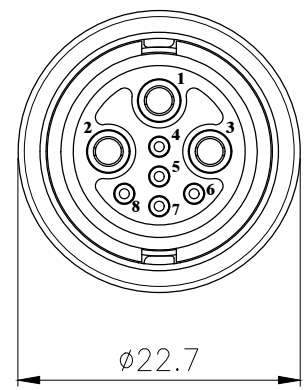
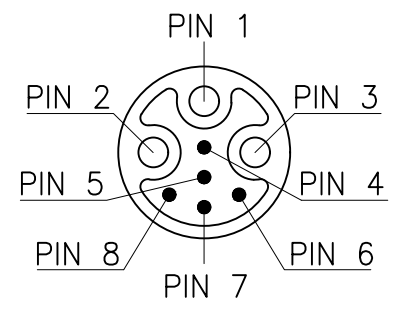
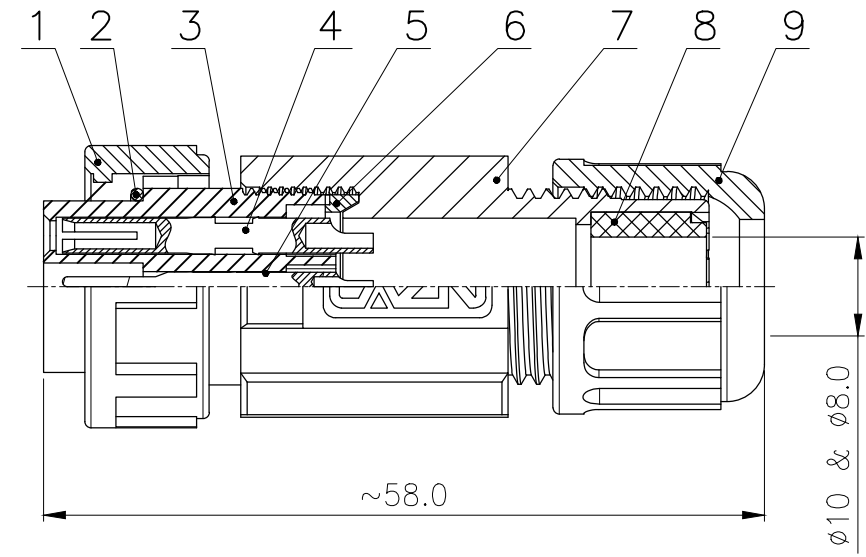


Rev.	Change Description	ECN #	Date



A →



VIEW A

No.	Specification	Material	Treat	Unit	Q'ty
9	Line lock nut	Nylon	/	pc	1
8	Assembled waterproof rubber plug	silica gel	/	pc	1
7	E13 Plug type body	Nylon	/	pc	1
6	E13 Assembly type body waterproof gasket	NBR	/	pc	1
5	Male contact pin	Phosphor Copper	Gold pated	pc	5
4	Female contact pin	Phosphor Copper	Gold pated	pc	3
3	E13 Hole type socket shell (8 croe C)	Nylon	/	pc	1
2	E13 Insulator O ring $\phi 14 \times \phi 11 \times 1.5$	NBR	/	pc	1
1	E13 Card buckle type Connecting nut	Nylon	/	pc	1

Technical specifications:		Materials:	
Coupling:	Card buckle connection	Shell material:	PA66+GF UL94 black
Termination:	Soldering	Contact material:	Brass Gold plated
Pollution degree:	3	Insert material:	PA66+GF UL94 black
Temperature range:	-45°C ~ +105°C	Sealing:	NBR
Degree of protection:	IP67		
Mating cycles:	≥500		
Rated voltage:	125+30V AC/DC		
Rated current:	15+2A		

All s are RoHS compliant

GENERAL TOLERANCE (UNLESS SPECIFIED)	DWN	DATE
	L.L	2022.11.12
	CHK	DATE
≤10 ±0.1 <10~≤20 ±0.2 <20~≤50 ±0.5 Angle ±1°	APVD	DATE
	UNIT	REV
 THIRD ANGLE	MM	A
	SIZE	SHEET
	A4	1 OF 1



TITLE	
PART NO	E13001-08C000000
DRAWING NO	E13P-BA1-S8C