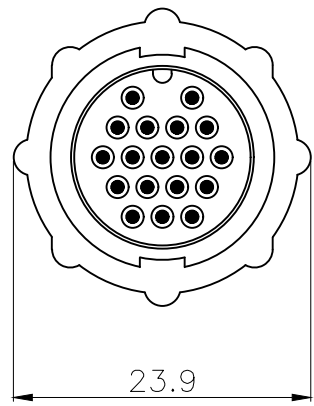
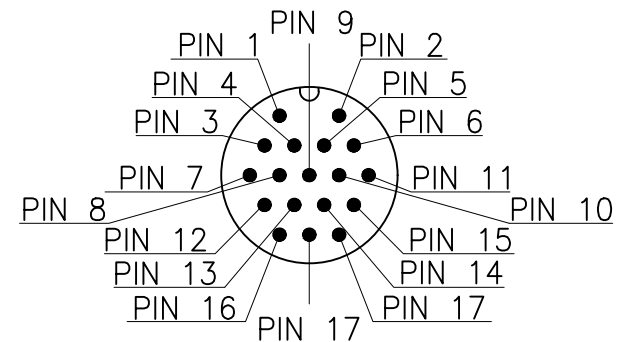
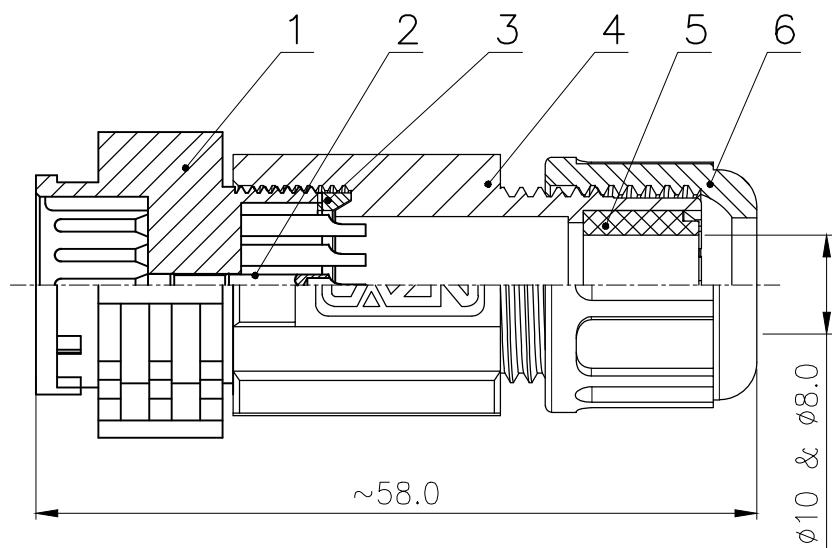


Rev.	Change Description	ECN #	Date



A →



VIEW A

No.	Specification	Material	Treat	Unit	Q'ty
6	Line lock nut	Nylon	/	pc	1
5	Assembled waterproof rubber plug	silica gel	/	pc	1
4	E13 Plug type body	Nylon	/	pc	1
3	E13 Assembly type body waterproof gasket	NBR	/	pc	1
2	Male contact pin	Brass	Gold plated	pc	18
1	E13 Card buckle needle type docking plug housing (18 core)	Nylon	/	pc	1

Technical specifications:		Materials:	
Coupling:	Card buckle connection	Shell material:	PA66+GF UL94 black
Termination:	Soldering	Contact material:	Brass Gold plated
Pollution degree:	3	Insert material:	PA66+GF UL94 black
Temperature range:	-45°C ~ +105°C	Sealing:	NBR
Degree of protection:	IP67		
Mating cycles:	≥500		
Rated voltage:	30V AC/DC		
Rated current:	2A		

All s are RoHS compliant

GENERAL TOLERANCE (UNLESS SPECIFIED)	≤10 ±0.1	DWN L.L	DATE 2022.11.12	
	<10~≤20 ±0.2	CHK	DATE	
	<20~≤50 ±0.5	APVD	DATE	
Angle ±1°				TITLE E13 Straight Male Field Installable Mating Plug 18 Core
 THIRD ANGLE	UNIT MM	REV A	PART NO E13020-18A000000	
	SIZE A4	SHEET 1 OF 1	DRAWING NO E13P-BK1-P18	