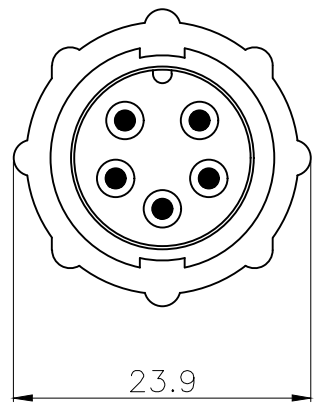
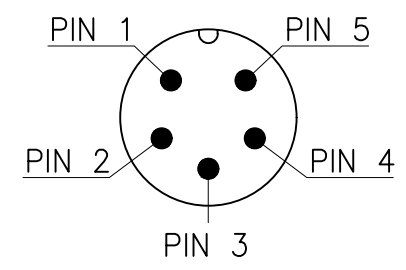
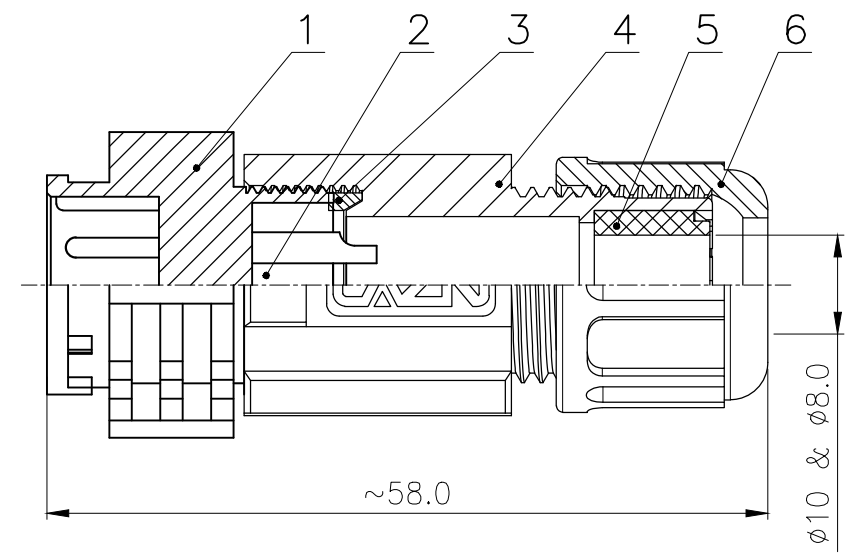


Rev.	Change Description	ECN #	Date



A →



VIEW A

No.	Specification	Material	Treat	Unit	Q'ty
6	Line lock nut	Nylon	/	pc	1
5	Assembled waterproof rubber plug	silica gel	/	pc	1
4	E13 Plug type body	Nylon	/	pc	1
3	E13 Assembly type body waterproof gasket	NBR	/	pc	1
2	Male contact pin	Brass	Gold plated	pc	5
1	E13 Card buckle needle type docking plug housing (5 core)	Nylon	/	pc	1

Technical specifications:		Materials:	
Coupling:	Card buckle connection	Shell material:	PA66+GF UL94 black
Termination:	Soldering	Contact material:	Brass Gold plated
Pollution degree:	3	Insert material:	PA66+GF UL94 black
Temperature range:	-45°C ~ +105°C	Sealing:	NBR
Degree of protection:	IP67		
Mating cycles:	≥500		
Rated voltage:	125V AC/DC		
Rated current:	10A		

All parts are RoHS compliant

GENERAL TOLERANCE (UNLESS SPECIFIED)	≤10	±0.1	DWN	DATE		
	<10~≤20	±0.2		L.L		2022.11.12
	<20~≤50	±0.5	CHK	DATE		
 THIRD ANGLE	ANGLE	±1°	APVD	DATE	TITLE	E13 Straight Male Field Installable Mating Plug 5 Core
	UNIT	MM	REV	A	PART NO	E13020-05A000000
SIZE	A4	SHEET	1 OF 1	DRAWING NO	E13P-BK1-P5	