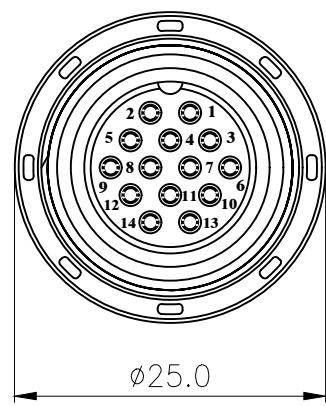
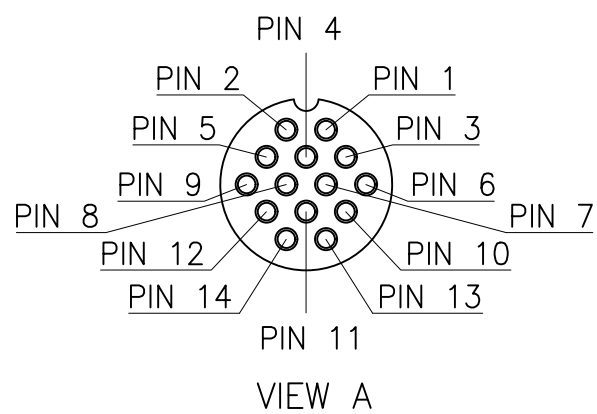
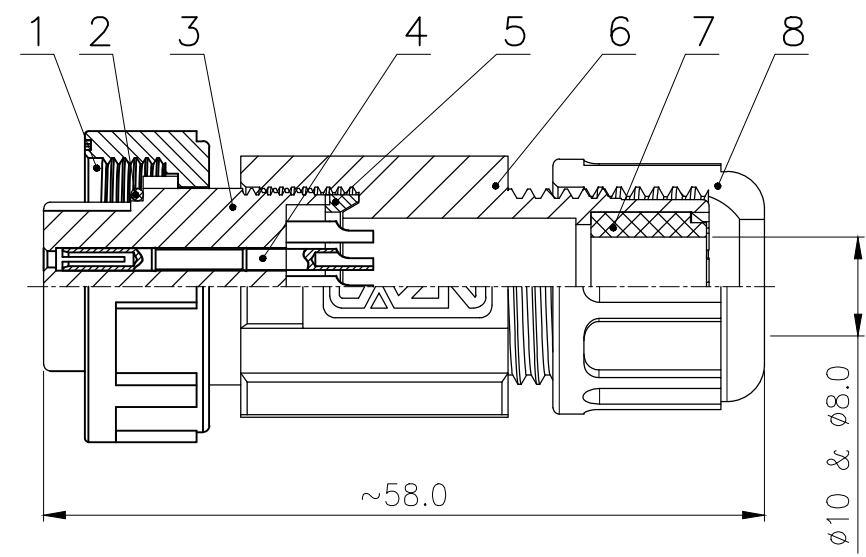


Rev.	Change Description	ECN #	Date



A →



No.	Specification	Material	Treat	Unit	Q'ty
8	Line lock nut	Nylon	/	pc	1
7	Assembled waterproof rubber plug	silica gel	/	pc	1
6	E13 Plug type body	Nylon	/	pc	1
5	E13 Assembly type body waterproof gasket	NBR	/	pc	1
4	Female contact pin	Phosphor Copper	Gold pated	pc	14
3	E13 Hole type socket shell (14 croe)	Nylon	/	pc	1
2	E13 Insulator O ring $\phi 14 \times \phi 11 \times 1.5$	NBR	/	pc	1
1	E13 Thread type Connecting nut	Nylon	/	pc	1

Technical specifications:		Materials:	
Coupling:	Threaded connection	Shell material:	PA66+GF UL94 black
Termination:	Soldering	Contact material:	Brass Gold plated
Pollution degree:	3	Insert material:	PA66+GF UL94 black
Temperature range:	-45°C ~ +105°C	Sealing:	NBR
Degree of protection:	IP67		
Mating cycles:	≥500		
Rated voltage:	60V AC/DC		
Rated current:	5A		
All s are RoHS compliant			

GENERAL TOLERANCE (UNLESS SPECIFIED)		DWN	DATE	
≤10	±0.1	L.L	2022.11.12	
<10~≤20	±0.2	CHK	DATE	
<20~≤50	±0.5	APVD	DATE	TITLE
Angle	±1°			
 THIRD ANGLE	UNIT	REV	PART NO	
	MM	A	E13001-14A000000	
	SIZE	SHEET	DRAWING NO	
	A4	1 OF 1	E13P-TA1-S14	