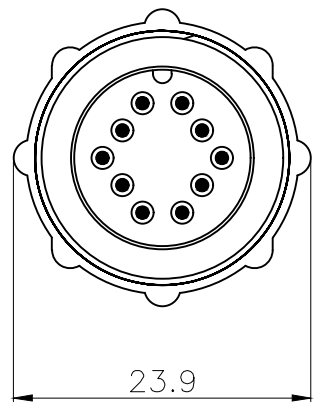
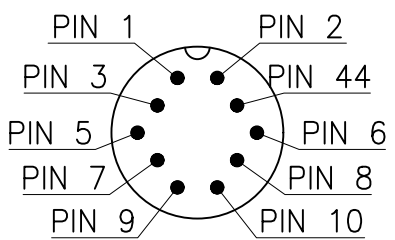
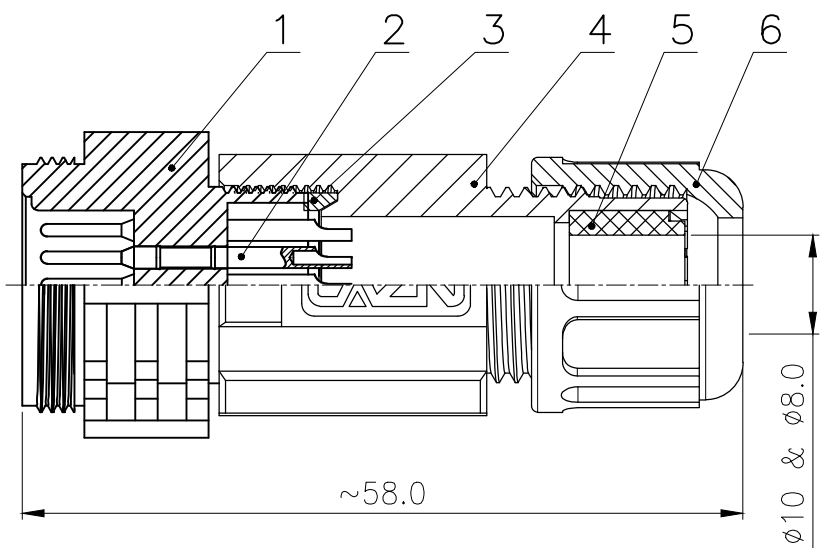


| Rev. | Change Description | ECN # | Date |
|------|--------------------|-------|------|
| | | | |



A →



VIEW A

| No. | Specification | Material | Treat | Unit | Q'ty |
|-----|---|------------|-------------|------|------|
| 6 | Line lock nut | Nylon | / | pc | 1 |
| 5 | Assembled waterproof rubber plug | silica gel | / | pc | 1 |
| 4 | E13 Plug type body | Nylon | / | pc | 1 |
| 3 | E13 Assembly type body waterproof gasket | NBR | / | pc | 1 |
| 2 | Male contact pin | Brass | Gold plated | pc | 10 |
| 1 | E13 Threaded needle type docking plug housing (10 core) | Nylon | / | pc | 1 |

| Technical specifications: | | Materials: | |
|---------------------------|---------------------|-------------------|--------------------|
| Coupling: | Threaded connection | Shell material: | PA66+GF UL94 black |
| Termination: | Soldering | Contact material: | Brass Gold plated |
| Pollution degree: | 3 | Insert material: | PA66+GF UL94 black |
| Temperature range: | -45°C ~ +105°C | Sealing: | NBR |
| Degree of protection: | IP67 | | |
| Mating cycles: | ≥500 | | |
| Rated voltage: | 60V AC/DC | | |
| Rated current: | 5A | | |

All parts are RoHS compliant

| | | | | | | |
|--------------------------------------|---------|------|---------|--------|------------|------------------|
| GENERAL TOLERANCE (UNLESS SPECIFIED) | ≤10 | ±0.1 | DWN L.L | DATE | 2022.11.12 | |
| | <10~≤20 | ±0.2 | | CHK | DATE | |
| | <20~≤50 | ±0.5 | APVD | DATE | TITLE | |
| THIRD ANGLE | UNIT | MM | REV | A | PART NO | E13004-10A000000 |
| | SIZE | A4 | SHEET | 1 OF 1 | DRAWING NO | E13P-TK1-P10 |