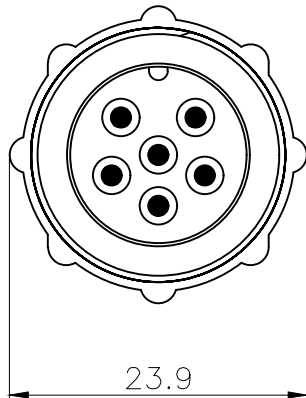
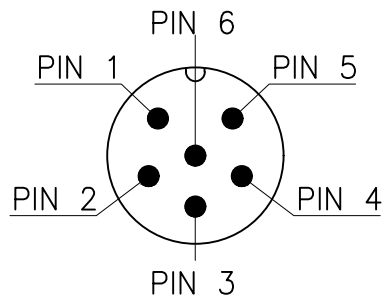
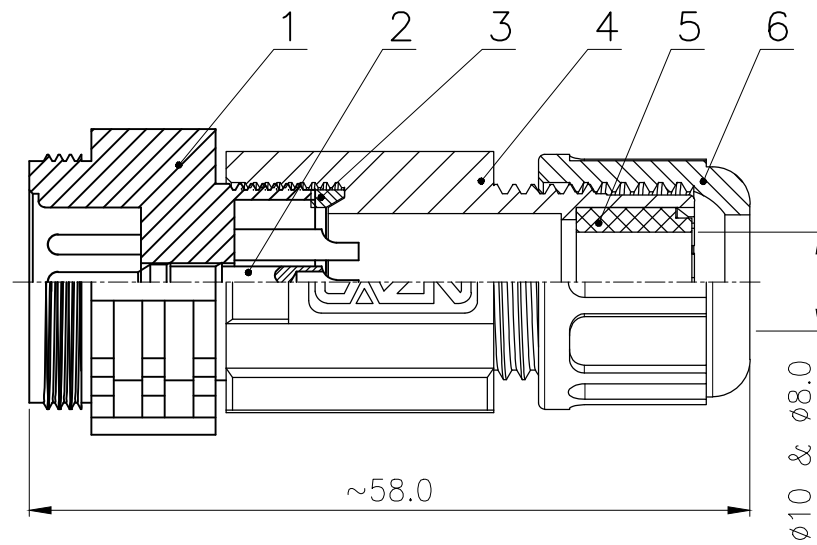


Rev.	Change Description	ECN #	Date



A →





VIEW A

No.	Specification	Material	Treat	Unit	Q'ty
6	Line lock nut	Nylon	/	pc	1
5	Assembled waterproof rubber plug	silica gel	/	pc	1
4	E13 Plug type body	Nylon	/	pc	1
3	E13 Assembly type body waterproof gasket	NBR	/	pc	1
2	Male contact pin	Brass	Gold plated	pc	6
1	E13 Threaded needle type docking plug housing (6 core)	Nylon	/	pc	1

Technical specifications:		Materials:	
Coupling:	Threaded connection	Shell material:	PA66+GF UL94 black
Termination:	Soldering	Contact material:	Brass Gold plated
Pollution degree:	3	Insert material:	PA66+GF UL94 black
Temperature range:	-45°C ~ +105°C	Sealing:	NBR
Degree of protection:	IP67		
Mating cycles:	≥500		
Rated voltage:	125V AC/DC		
Rated current:	10A		

All parts are RoHS compliant

GENERAL TOLERANCE (UNLESS SPECIFIED)	≤10	±0.1	DWN	DATE		
	<10~≤20	±0.2	CHK	DATE		
	<20~≤50	±0.5	APVD	DATE		
	Angle	±1°			TITLE	E13 Straight Male Field Installable Mating Plug 6 Core
 THIRD ANGLE	UNIT	MM	REV	A	PART NO	E13004-06A000000
	SIZE	A4	SHEET	1 OF 1	DRAWING NO	E13P-TK1-P6