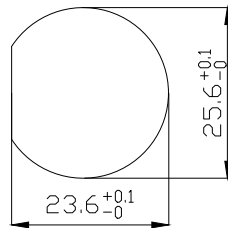
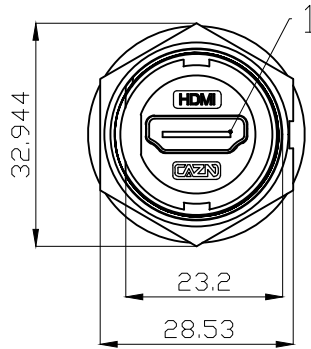
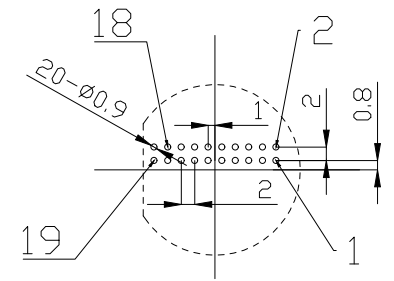
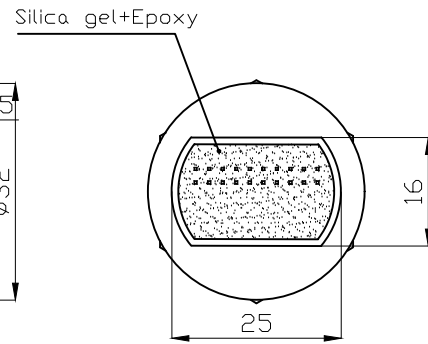
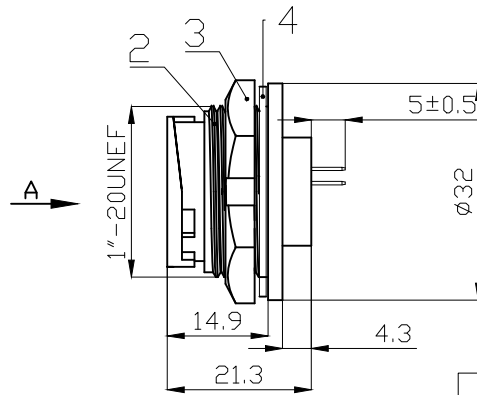


Stitch definition	
P. C. B Pin number	Function definition
1	TMDS Data2+
2	TMDS Data2+ Shield
3	TMDS Data2-
4	TMDS Data1+
5	TMDS Data1 Shield
6	TMDS Data1-
7	TMDS Data0+
8	TMDS Data0 Shield
9	TMDS Data0-
10	TMDS Clock+
11	TMDS Clock Shield
12	TMDS Clock-
13	CEC
14	HEC Data
15	SCL
16	SDA
17	DDC/CEC/HEC Ground
18	+5V
19	Hot Plug Detect

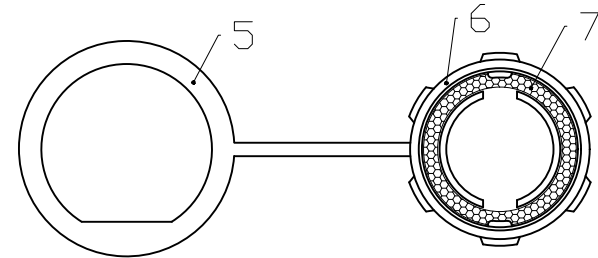


BOARD END HOLE OPENING SIZE



RECOMMENDED P. C. B LAYOUT
pin number look A direction

Options:Dust Cap



7	E16 Dust Cap gasket	silica gel	/	pcs	1
6	E16 Dust Cap	PP	/	pcs	1
5	E16 Dust Cap Connection Strap	TPU	/	pcs	1
4	E16 waterproof sealing gasket	silica gel	/	pcs	1
3	1"-20UNEF hexagon nut	Nylon	/	pcs	1
2	E16HDMI buckle type rear socket housing	Nylon	/	pcs	1
1	HDMI female head+PCB	/	Gold plated	pcs	1
No.	Specification	Material	Treat	Unit	Q'ty

Technical specifications:

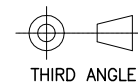
Materials:

Coupling:	Bayonet connection	Shell material:	PA66+GF UL94 Black
Termination:	Dip solder	Contact material:	Brass Gold plated
Pollution degree:	3	Insert material:	PA66+GF UL94 Black
Temperature range:	-45° C ~ +105° C	Sealing material:	silica gel Black
Degree of protection:	IP67		
Mating cycles:	≥500		
Rated voltage:	40V AC/DC		
Rated current:	0.5A		
Contact Resistance:	30 mΩ		
Insulation Resistance:	100 MΩ		

All materials are ROHS compliant

GENERAL TOLERANCE
(UNLESS SPECIFIED)

≤10	±0.1
<10~≤20	±0.2
<20~≤50	±0.5
Angle	±1°



THIRD ANGLE

DWN

CHK

APVD

UNIT

MM

SIZE

A4

REV

A

SHEET

1 OF 1

CAZN 正成

TITLE
C130207-00001

PART NO
2CA2-E16HD-BF1-F

DRAWING NO