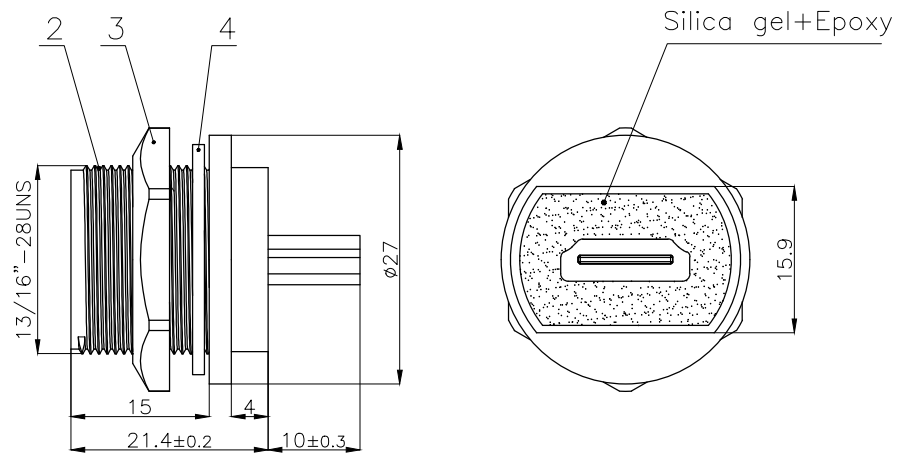


BOARD END HOLE OPENING SIZE



A

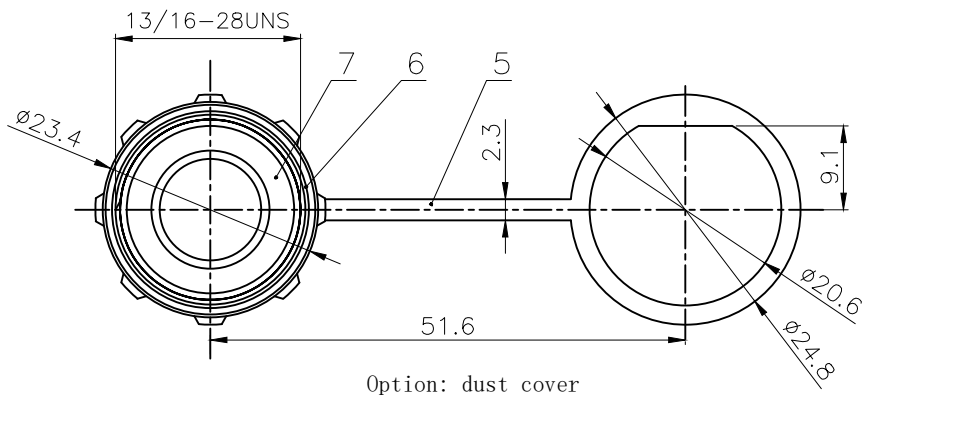
A

B

B

C

C



Option: dust cover

7	E10 Dust cap waterproof ring 19.6*1.5	silica gel	Black	pc	1
6	E10 Screw dust cover	plastic	Black	pc	1
5	E10 Dust cap insert	PP	Black	pc	1
4	E10 seat son waterproof gasket	silica gel	Black	pc	1
3	Hexagon nut with lock plate 13/16-28UNS	PA66	Black	pc	1
2	E13HD Threaded plate rear socket housing	PA66	Black	pc	1
1	HDMI Double female head+PCB	/	gold plated	pc	1
No.	Specification	Material	Treat	Unit	Q'ty

Technical specifications:

Materials:

Coupling:	Threaded coupling	Shell material:	PA66+GF UL94 black
Pollution degree:	3	Contact material:	Brass gold plated
Temperature range:	-45°C ~ 105°C	Enclosure insulating parts:	PA66+GF UL94 black
Waterproof grade:	IP67	Waterproof ring:	silica gel
Mating cycles::	≥500		
Rated voltage:	40V AC/DC		
Rated current:	0.5A		
Contact resistance:	<30mΩ		
Insulation resistance:	>100MΩ		

GENERAL TOLERANCE (UNLESS SPECIFIED)

≤10	±0.1
<10~≤20	±0.2
<20~≤50	±0.5
Angle	±1°

DWN	<p>THIRD ANGLE</p>
CHK	
APVD	
UNIT	REV
MM	A
SIZE	SHEET
A4	1 OF 1



TITLE	E13HD-F-S/S
PART NO	
DRAWING NO	

D

D