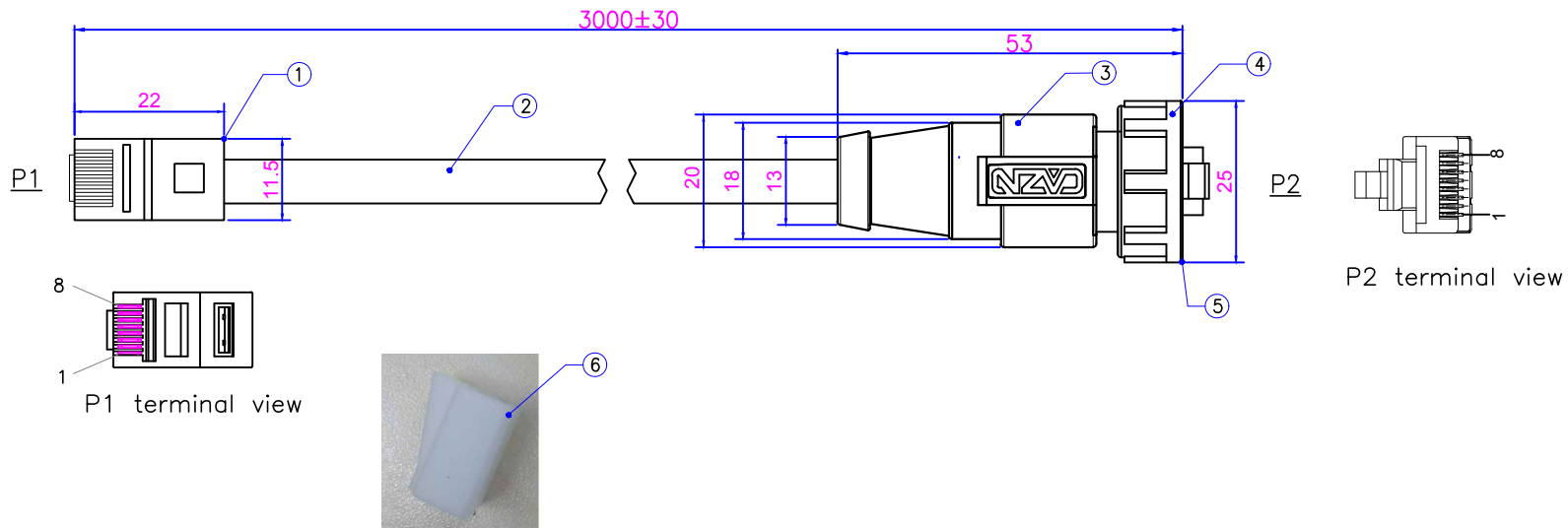


1 2 3 4 5 6



P1 terminal view

P2 terminal view

RJ45 network crystal head dust cover (transparent)

Cutting length (mm)	Left-end processing (mm)			Right-end processing (mm)		
	Exfoliation	Core peeling	Tinned	Exfoliation	Core peeling	Tinned

Wire Diagram

P1	Wire Color	P2	
1	Orange/White	1	twisted pair
2	Orange	2	
3	Green/White	3	twisted pair
6	Green	6	
7	Brown/White	7	twisted pair
8	Brown	8	
5	Blue/White	5	twisted pair
4	Blue	4	
shell	Braid Shield	shell	
	Drain		

Matters needing attention in production

Connector General Specifications	
Connector locking system	
Termination	
Temperature range	
Class of pollution	
Degree of protection	
Machanical mating	
Rated voltage	
Rated current	
Contact resistance	
Insulation resistance	
IEC standard	
Test requirements for electrical parameters of products	
Test voltage	
Insulation resistance	
Conductor resistance	

深圳市正成电气有限公司
 受控文件

No.	Specification	Unit	Q'ty
6	RJ45 network crystal head dust cover (transparent)	pc	2
5	RJ45 wire end waterproof gasket, black silicone (single sideband 3M300 rubber) Φ19.4-12.2-8.4-1.5	pc	1
4	E13 Threaded HDMI connection nuts (type)	pc	1
3	E13 bonded black PVC	pc	1
2	UL2835 4P*24AWG (7/0.2SBC)+AL+D (7/0.16SBC)+B (62/0.12 aluminum magnesium wire) Inner core HDPE OD:1.0, outer black semi-bright surface (GS0043-1)50P-PVC OD:6.0, empty pipe extrusion, Rated voltage 30V, rated temperature 60°C, (Color: 1P: blue, white blue double bar; 2P: Orange, white injection orange double strips; 3P: Green, white injection green double strips; 4P: Brown, white brown double) Material number :HY-211004-277 (4P24-012)	pc	1
1	RJ45: FTP CAT6 4 top 4 bottom crystal head, one piece, V2, natural color, brass flat Angle 3 x 50u, copper case, wire hole 1.05mm (riveted copper case, No. : 11106515002) (RJ-009)	pc	1

GENERAL TOLERANCE (UNLESS SPECIFIED) ≤10 ±0.1 <10~≤20 ±0.2 <20~≤50 ±0.5 Angle ±3°	DWN		
	CHK		
	APVD		
THIRD ANGLE	UNIT: MM SIZE: A4	REV: A1 SHEET: 1 OF 1	TITLE: E13RJ-TA/RJ45-M-3M PART NO: DRAWING NO: 2CA2-E13RJ-TA/RJ45-M-3M

Tatement: Please confirm and return the drawings within 2 working days. If the drawings are not returned after the expiration date, the default is that you have been confirmed to be qualified.

Business confirmation

Customer	DWN NO	DATE	DWN	APVD
P/N		2023-10-17	Guang. Zhou	
Product Name		UNIT: mm	Size: A4	

RoHS