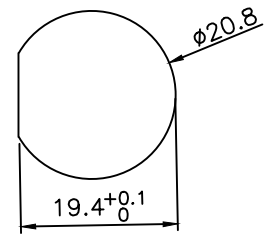
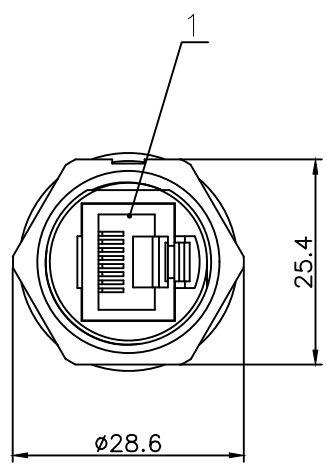
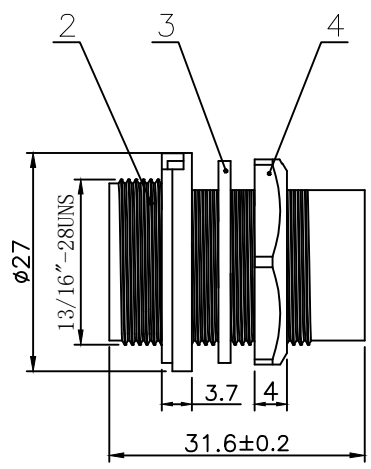
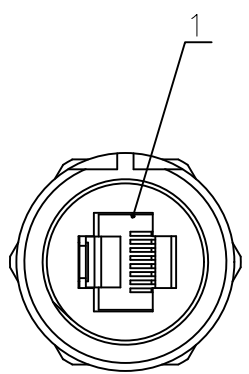
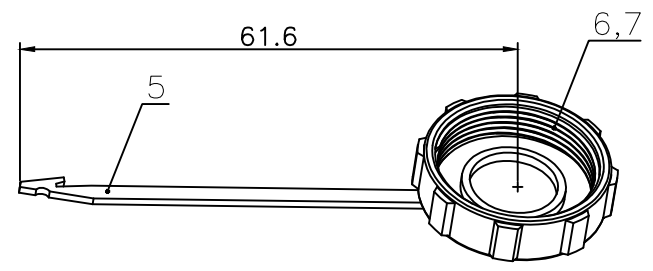


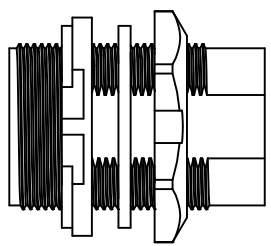
Date
20.11.18



产品开孔尺寸
(BOARD END HOLE OPENING SIZE)



选配件: 防尘盖
Option: dust cover



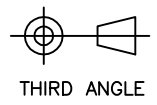
7	E13 防尘帽防水圈 19.6*1.5 E13 Dust cap waterproof ring 19.6*1.5	硅胶 silica gel	黑色 Black	pc	1
6	E13 螺牙防尘盖 E13 Screw dust cover	塑胶	黑/蓝 Black/blue	pc	1
5	E10 防尘帽插条 E10 Dust cap insert	PP	黑色 Black	pc	1
4	E13 法兰螺母 E13 flange nut	PA66	黑/蓝 Black/blue	pc	1
3	E13 板前板后防水圈 24.8*1.5 E13 Waterproof ring 24.8*1.5	硅胶	黑色 Black	pc	1
2	RJ45板前主体 RJ45 front mounting body	PA66	黑色 Black	pc	1
1	RJ45双网口 RJ45 dual network port	RJ网口+PCB板 RJ network port +PCB board	镀金 gold plated	pc	1
No.	Specification	Material	Treat	Unit	Q'ty

技术参数(Technical specifications):

传输速率: transmission rate	符合TIA或EIA 568B的5E类/6A类D级/等级和符合ISO/IEC 11801 CAT5E/6A ,According to TIA or EIA 568B,According to ISO/IEC 11801
防水等级: Degree of protection	IP67
接触电阻: Contact resistance	≦20mΩ
绝缘电阻: Insulation resistance	≧500MΩ at DC500V
工频耐电压: Withstand voltage	≧AC 400V / 1 分钟 ≧AC 400V / 1 minute
盐雾腐蚀: Salt spray corrosion	48小时 48 hours
POE:	60W / 2A

GENERAL TOLERANCE
(UNLESS SPECIFIED)

- ≤10 ±0.1
- <10~≤20 ±0.2
- <20~≤50 ±0.5
- Angle ±1°



DWN	CHK	UNIT	REV
MM		A	
SIZE		SHEET	
A4	1 OF 1		



TITLE	RJ45-B-S/S
PART NO	
DRAWING NO	2CA2-RJ45-B-S/S