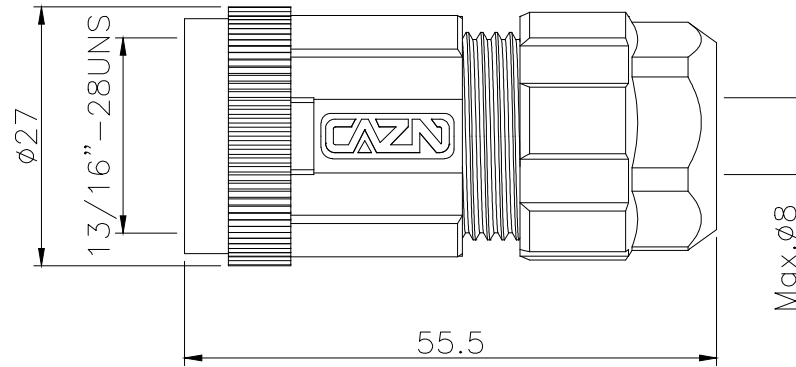



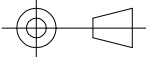
Rev.	Change Description	ECN #	Date



(Technical specifications):

transmission rate	CAT5E/6A ,According to TIA or EIA 568B,According to ISO/IEC 11801
Degree of protection	IP67
Contact resistance	≅20mΩ
Insulation resistance	≅500MΩ at DC500V
Withstand voltage	≅AC 1000V / 1 minute
Salt spray corrosion	48 hours
POE:	60W / 2A

4	waterproof ring φ21Xφ17X2	NBR	/	pc	1
3	7/8" Plastic Locking nut	PA66	Black	pc	1
2	E13 Threaded assembly body	PA66	/	pc	1
1	7/8" Waterproof cable jacket(PG9)	Silica gel	Black/White/Grey	pc	1
No.	Specification	Material	Treat	Unit	Q'ty

GENERAL TOLERANCE (UNLESS SPECIFIED) ≤10 ±0.1 <10~≤20 ±0.2 <20~≤50 ±0.5 Angle ±1°	DWN		
	CHK		
	APVD		
 THIRD ANGLE	UNIT MM	REV A	PART NO
	SIZE A4	SHEET 1 OF 1	DRAWING NO E13RJ-TA1