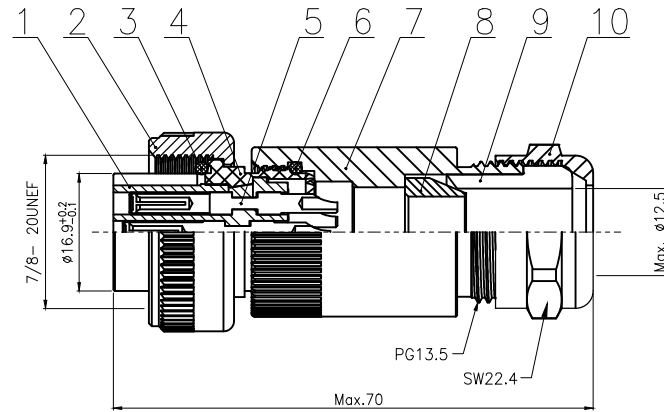
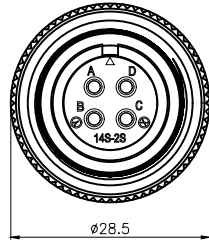


No.	Specification	Material	Treat	Unit	Q'ty	No.	Specification	Material	Treat	Unit	Q'ty
1	Female Insulator (4 core)	Silicone	/	pc	1	6	Waterproof sealing ring $\phi 20 \times \phi 16 \times 2$	NBR	/	pc	1
2	Connecting nut	aluminum	Nickel plating	pc	1	7	Main body housing	aluminum	Nickel plating	pc	1
3	Waterproof O-ring $\phi 16 \times \phi 12 \times 2$	NBR	/	pc	1	8	Shielding ring	Brass	Nickel plating	pc	1
4	Rubber core housing	aluminum	Nickel plating	pc	1	9	Protective wire sleeve	Nylon	/	pc	1
5	1.58 Female contact pin	Brass	Silver plated	pc	4	10	Tail wire lock nut	Brass	Silver plated	pc	1



Technical specifications:		Materials:	
Coupling:	Threaded coupling	Shell material:	Aluminum, nickel plated
Termination:	Soldering	Contact material:	Copper, silver plated
Mating cycles:	$\geq 500$	Insert material:	Silica gel, gray
Temperature range:	$-40^{\circ}\text{C} \sim +80^{\circ}\text{C}$	Sealing:	NBR, black
Cable outlet diameter	8.0~12.5mm		
Cross-sectional area	Max.1.5mm <sup>2</sup> /AWG 16		
Rated voltage:	250V AC/DC		
Rated current:	10A		
Contact resistance:	$\leq 3 \text{ m}\Omega$		
Insulation resistance:	$\geq 100 \text{ M}\Omega$		
Pollution degree:	3		
All materials are RoHS compliant			

GENERAL TOLERANCE (UNLESS SPECIFIED) $\leq 10 \pm 0.1$ $< 10 \sim \leq 20 \pm 0.2$ $< 20 \sim \leq 50 \pm 0.5$ Angle $\pm 1^{\circ}$	DWN	DATE	<b>CAZN 正成</b>
	W.M	2023.4.24	
	CHK	DATE	TITLE
APVD	DATE	C14G-A-S4	
 THIRD ANGLE	UNIT	REV	PART NO
	MM	A	
SIZE	SHEET	DRAWING NO	
A4	1 OF 1		