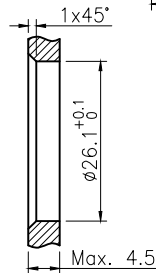
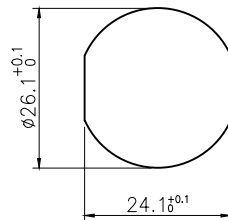
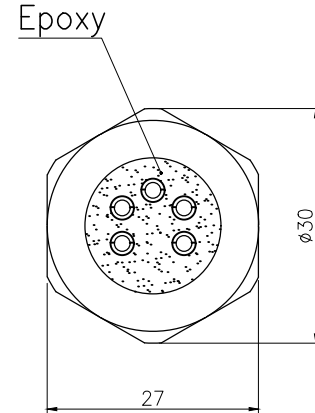
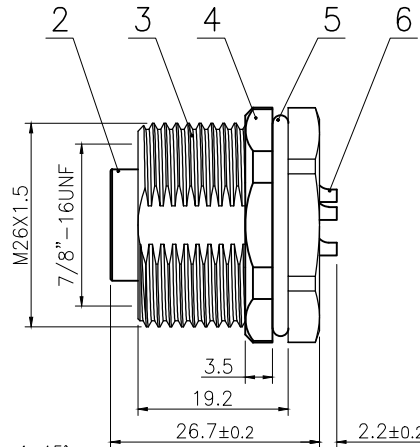


A →



BOARD END HOLE OPENING SIZE

Technical specifications:		Materials:	
Coupling:	Threaded coupling	Shell material:	Brass Gold plated
Termination:	Soldering	Contact material:	Phosphor copper Gold plated
Coding:	A	Insert material:	PA66+GF UL94 black
Pollution degree:	3	Sealing:	NBR
Temperature range:	-40°C ~ +80°C		
Degree of protection:	IP67		
Mating cycles:	≥500		
Rated voltage:	300V AC/DC		
Rated current:	9A		
Contact resistance:	≤3 mΩ		
Insulation resistance:	≥100 MΩ		
All materials are RoHS compliant			

6	7/8 Female contact pin, phosphor copper gold plated	pc	5
5	7/8 Waterproof O-ring $\phi 24 \times \phi 20 \times 2$, NBR black	pc	1
4	Hexagon nut M26 \times 1.5, brass nickel plated	pc	1
3	7/8 Panel back mount female socket shell, brass nickel plated	pc	1
2	7/8 Female Insulator(5 core), PA66+GF black	pc	1
1	7/8 Insulator O-ring $\phi 14 \times \phi 10 \times 2$, NBR black	pc	1
No.	Specification	Unit	Q'ty

GENERAL TOLERANCE (UNLESS SPECIFIED) ≤ 10 ± 0.1 $< 10 \sim \leq 20$ ± 0.2 $< 20 \sim \leq 50$ ± 0.5 Angle $\pm 1'$	DWN	DATE	
	W.M	2022.9.16	
	CHK	DATE	
	APVD	DATE	TITLE 7/8 Female Back Mount Socket 5 core
 THIRD ANGLE	UNIT MM	REV A	PART NO 780020-05A000000
	SIZE A4	SHEET 1 OF 1	DRAWING NO 7/8-F-S5