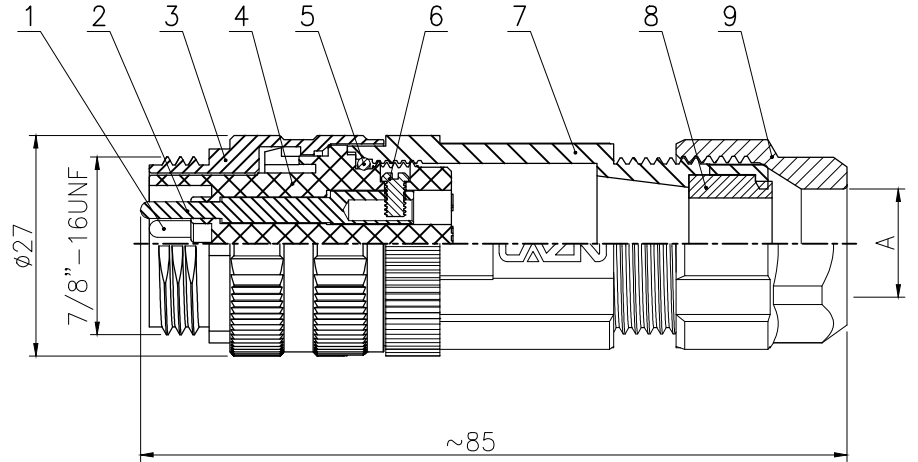
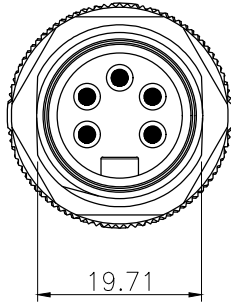
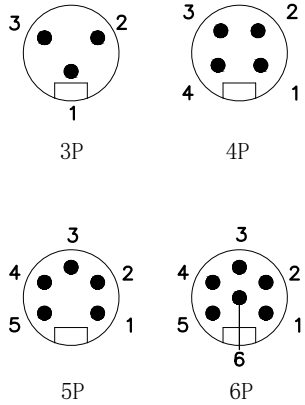


| No. | Specification | Material | Treat | Unit | Q'ty | No. | Specification | Material | Treat | Unit | Q'ty |
|-----|---|----------|-------|------|------|-----|---------------|----------|-------|------|------|
| 1 | 7/8" 2.0 锁线式马蹄公针 | 黄铜 | 镀金 | pc | 2~5 | 6 | 7/8"锁线螺钉 | 铁 | 蓝锌 | pc | 3~6 |
| 2 | 7/8" 2.0 锁线式马蹄公针 接地针 | 黄铜 | 镀金 | pc | 1 | 7 | 7/8" 组装式主体套管 | 尼龙 | / | pc | 1 |
| 3 | 7/8" 组装式公头连接外壳 | 锌合金 | 镀镍 | pc | 1 | 8 | 防水硅胶塞 | 硅胶 | / | pc | 1 |
| 4 | 7/8" 组装式公胶芯 | 尼龙 | / | pc | 1 | 9 | 锁紧螺帽 | 尼龙 | / | pc | 1 |
| 5 | 主体防水O型圈 $\phi 20 \times \phi 16 \times 2$ | 橡胶 | / | pc | 1 | | | | | | |

芯位排布



A 出线口尺寸:

PG13.5 (10~12mm)
PG9 (6~8mm)

| 芯数 | 3 | 4 | 5 | 6 |
|-----------|-------|-------|-------|-------|
| 额定电压 | 300V | 300V | 300V | 300V |
| 额定电流 | 12A | 9A | 9A | 9A |
| 耐电压 | 4000 | 4000 | 4000 | 4000 |
| 绝缘电阻 (mΩ) | ≥4000 | ≥4000 | ≥4000 | ≥4000 |
| 接触电阻 (mΩ) | 3 | 3 | 3 | 3 |

| | | | | |
|--------------------------------------|--------------|-------|-----------|---------------------------|
| GENERAL TOLERANCE (UNLESS SPECIFIED) | ≤10 ±0.1 | DWN | DATE | |
| | <10~≤20 ±0.2 | W.M | 2022.9.16 | |
| <20~≤50 ±0.5 | Angle ±1' | CHK | DATE | TITLE 7/8" 直式针型塑胶组装式插头 |
| | | APVD | DATE | |
| THIRD ANGLE | UNIT | REV | PART NO | DRAWING NO 7/8P-A-Px |
| | MM | A | | |
| | SIZE | SHEET | 1 OF 1 | |
| | A4 | | | |