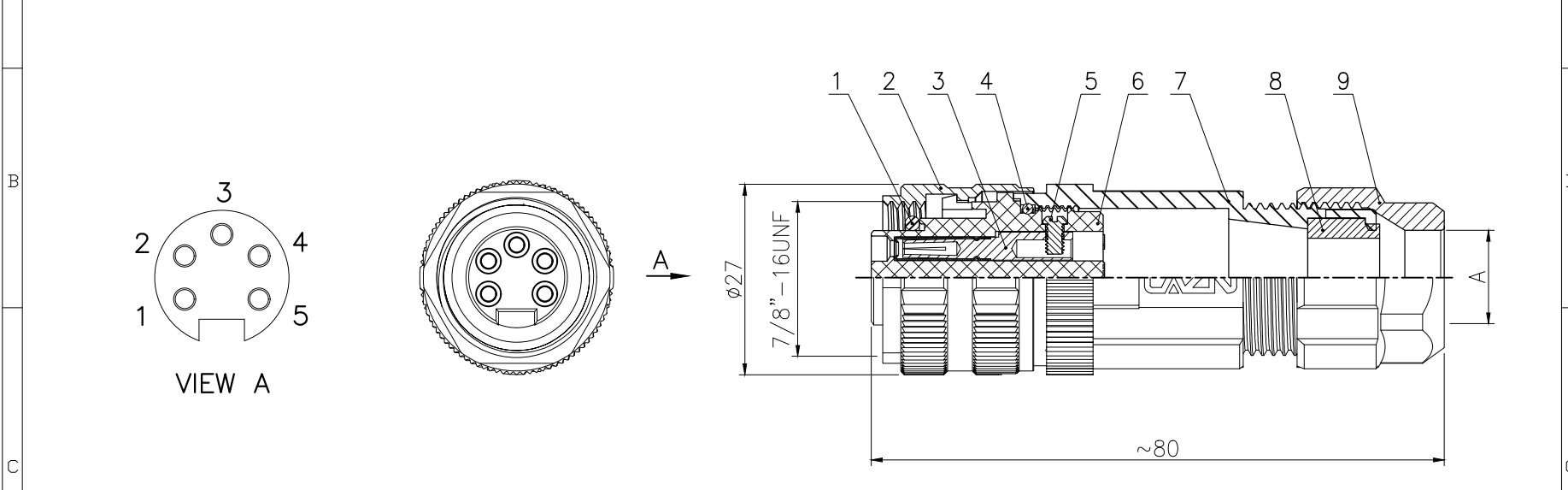


No.	Specification	Material	Treat	Unit	Q'ty	No.	Specification	Material	Treat	Unit	Q'ty
1	7/8" Insulator O-ring $\phi 16 \times \phi 13 \times 1.5$	NBR	/	pc	1	6	7/8" Assembly female Insulator (5 core)	Nylon	/	pc	1
2	7/8" Assembled female Connecting nut	Zinc alloy	nickel plated	pc	1	7	7/8" Connect body	Nylon	/	pc	1
3	7/8" Locking female contact pin	Brass	Gold plated	pc	5	8	7/8" Waterproof silicone plug	Nylon	/	pc	1
4	7/8" Waterproof O-ring $\phi 20 \times \phi 16 \times 2$	NBR	/	pc	1	9	7/8" Line lock nut	Nylon	/	pc	1
5	7/8" Locking wire screw	Iron	Blue zinc	pc	5						



Technical specifications:		Materials:	
Coupling:	Threaded coupling	Shell material:	PA66+GF UL94 black
Termination:	Screw locking	Contact material:	Phosphor copper Gold plated
Coding:	A	Insert material:	PA66+GF UL94 black
Pollution degree:	3	Sealing:	NBR
Temperature range:	-40°C ~ +80°C		
Degree of protection:	IP67		
Mating cycles:	≥ 500		
Rated voltage:	300V AC/DC		
Rated current:	9A		
Contact resistance:	$\leq 3 \text{ m}\Omega$		
Insulation resistance:	$\geq 100 \text{ M}\Omega$		
All materials are RoHS compliant			

A Size of outlet:
 PG13.5 (10~12mm)
 PG9 (6~8mm)

GENERAL TOLERANCE (UNLESS SPECIFIED)	DWN	DATE	CAZN 正成
	W.M	2022.9.16	
$\leq 10 \pm 0.1$	CHK	DATE	TITLE 7/8 Straight Female Plastic Assembled Plug 5 core
$< 10 \sim \leq 20 \pm 0.2$	APVD	DATE	
$< 20 \sim \leq 50 \pm 0.5$	UNIT	REV	PART NO 780001-05A000000
Angle $\pm 1'$	MM	A	DRAWING NO 7/8P-A-S5
	SIZE	SHEET	
THIRD ANGLE	A4	1 OF 1	