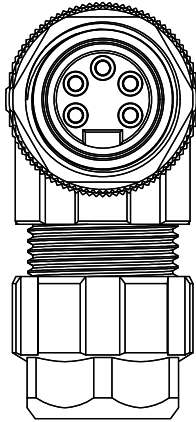
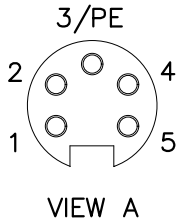
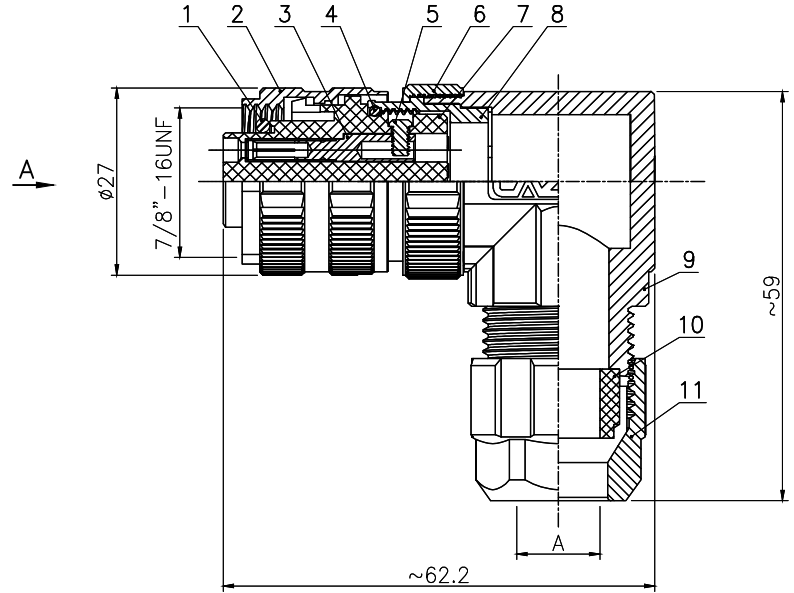


No.	Specification	Material	Treat	Unit	Q'ty	No.	Specification	Material	Treat	Unit	Q'ty
1	7/8" Insulator O-ring $\phi 16 \times \phi 13 \times 1.5$	NBR	/	pc	1	7	7/8" Assembly female Insulator (5 core)	Nylon	/	pc	1
2	7/8" Assembled female Connecting nut	Zinc alloy	nickel plated	pc	1	8	7/8" Bent trunk sleeve	Nylon	/	pc	1
3	7/8" Locking female contact pin	Phosphor copper	Gold plated	pc	5	9	7/8" Bent main casing	Nylon	/	pc	1
4	7/8" O-ring $\phi 20 \times \phi 16 \times 2$	Nylon	/	pc	1	10	7/8" Waterproof silicone plug	silicone	/	pc	1
5	7/8" Locking wire screw	Iron	Blue zinc	pc	5	11	7/8" Line lock nut	Nylon	/	pc	1
6	7/8" Body nut	Nylon	/	pc	1						



A Size of outlet:  
 PG13.5 (10~12mm)  
 PG9 (6~8mm)



Technical specifications:		Materials:	
Coupling:	Threaded coupling	Shell material:	PA66+GF UL94 black
Termination:	Screw locking	Contact material:	Phosphor copper Gold plated
Coding:	A	Insert material:	PA66+GF UL94 black
Pollution degree:	3	Sealing:	NBR
Temperature range:	-40°C ~ +80°C		
Degree of protection:	IP67		
Mating cycles:	≥500		
Rated voltage:	300V AC/DC		
Rated current:	9A		
Contact resistance:	≤3 mΩ		
Insulation resistance:	≥100 MΩ		
All materials are RoHS compliant			

GENERAL TOLERANCE (UNLESS SPECIFIED)	DWN	DATE	<b>CAZN 正成</b>
	W.M	2022.9.16	
	≤10 ±0.1	CHK	DATE
<10~≤20 ±0.2	APVD	DATE	TITLE
<20~≤50 ±0.5			7/8P Angled Female Plastic Plug 5 core
Angle ±1'	UNIT	REV	PART NO
	MM	A	
THIRD ANGLE	SIZE	SHEET	DRAWING NO
	A4	1 OF 1	7/8P-D-S5