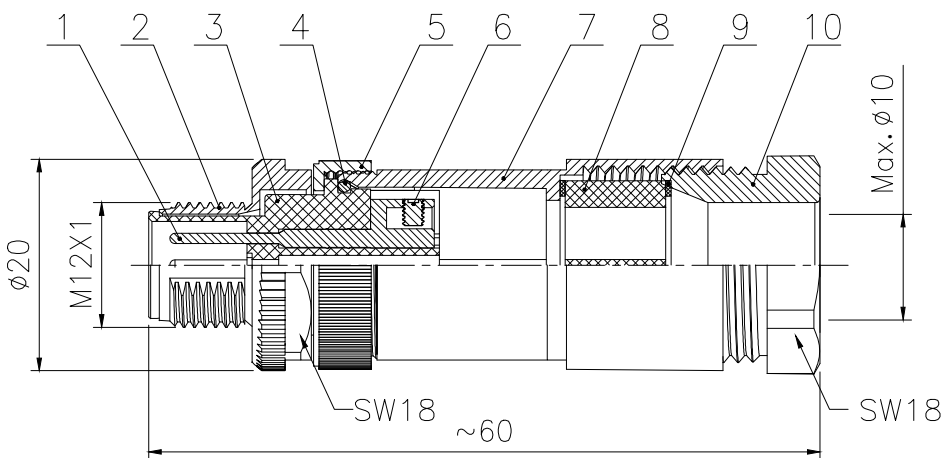
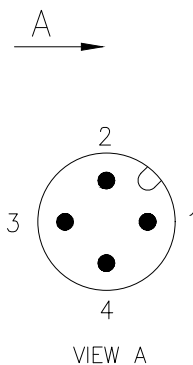
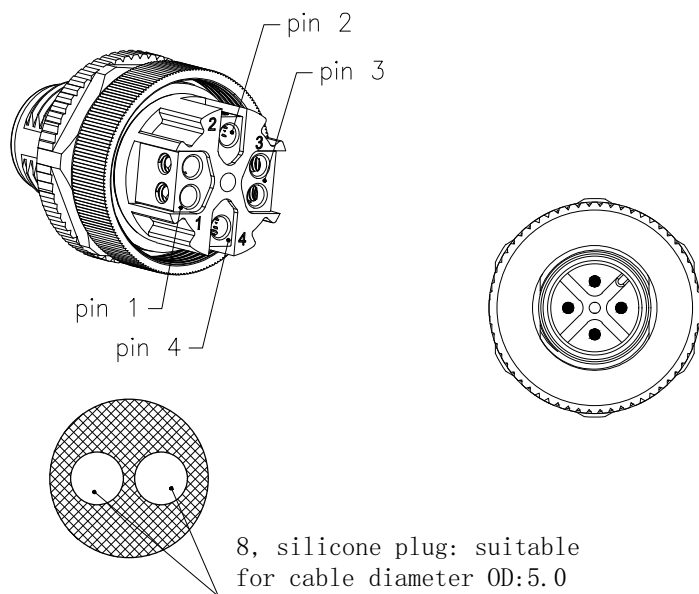


No.	Specification	Unit	Q'ty	No.	Specification	Unit	Q'ty
1	M12 Male contact pin Gold Plated OD:1.0	pc	4	7	Straight body PG11 specification plastic case	pc	1
2	M12 Zinc alloy hexagon connection screws	pc	1	8	Waterproof rubber plug Silicone Rubber black	pc	1
3	M12 Male Insulator 5 core A code ,PA66 material black	pc	1	9	M12 plastic assembly locking gasket	pc	2
4	Nitrile butadiene rubber $\phi 15 \times \phi 12.6 \times 1.2$ black	pc	1	10	Lock cable nut, plastic case PG11	pc	1
5	Plastic housing for body connection nuts	pc	1				
6	Wire locking screw Carbon steel bright Nickel	pc	4				



Technical specifications:		Electrical parameter:	
Coupling:	Threaded coupling	Rated voltage:	250V AC/DC
Termination:	Screw lock	Rated current:	4A
Coding:	A	Contact resistance:	$\leq 5 \text{ m}\Omega$
Pollution degree:	3	Insulation resistance:	$\geq 100 \text{ M}\Omega$
Temperature range:	$-40^{\circ}\text{C} \sim +80^{\circ}\text{C}$	Materials:	
Degree of protection:	IP67	Shell material:	Nylon/Zinc alloy nickel plated
Mating cycles:	≥ 500	Contact material:	Copper Gold plated
Cable outlet diameter:	8.0~10.0mm	Insert material:	PA66+GF UL94 black
Traverse area:	Max $0.75\text{mm}^2/\text{AWG } 18$	Sealing:	Silicone/NBR, black

All materials are RoHS compliant

GENERAL TOLERANCE (UNLESS SPECIFIED)	DWN	DATE	CAZN 正成
	W.M	2023.12.28	
	≤ 10	CHK	DATE
$<10 \sim \leq 20$	APVD	DATE	TITLE
$<20 \sim \leq 50$	UNIT	REV	M12 plastic assembly male plug 4 core
Angle $\pm 1^{\circ}$	MM	A	PART NO
	SIZE	SHEET	DRAWING NO
	A4	1 OF 1	M12-P4A-PLA-IT2