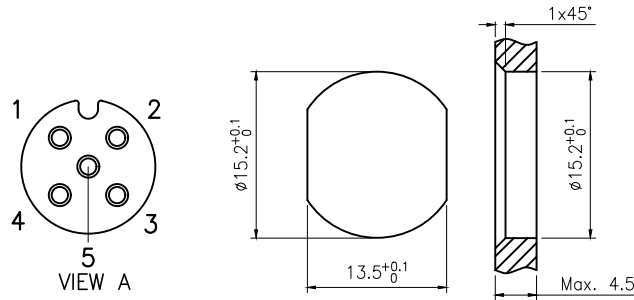
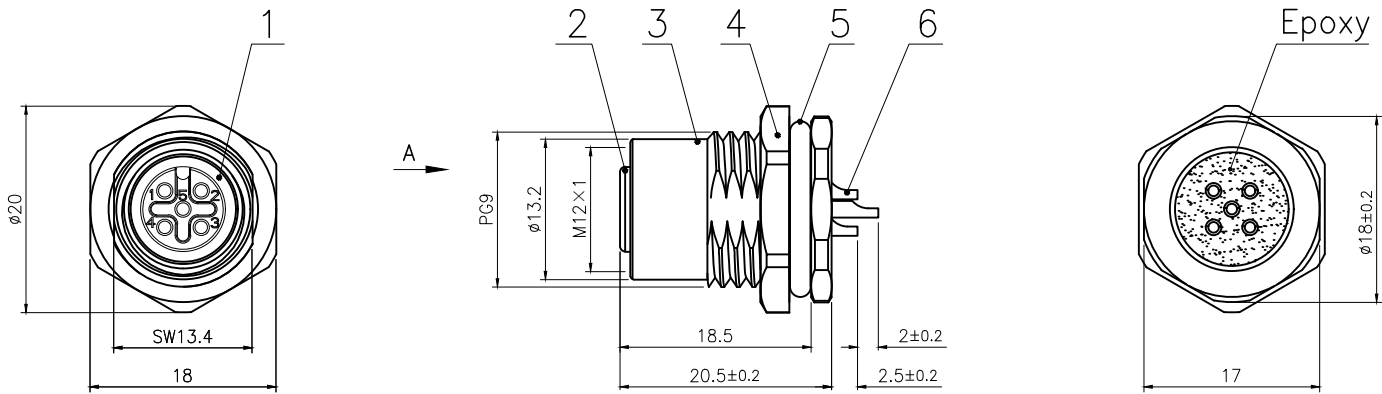


Rev.	Change Description	ECN #	Date



BOARD END HOLE OPENING SIZE

6	M12 Female contact pin	Phosphor Copper	Gold plated	pc	5
5	M12 Shell O ring $\phi$ 16X2	NBR	/	pc	1
4	Hexagon nut M16X1.5	Brass	nickel plated	pc	1
3	M12 Panel back mount female socket shell	Brass	nickel plated	pc	1
2	M12 Female Insulator (5 core)	Nylon	/	pc	1
1	M12 Insulator O ring $\phi$ 9X $\phi$ 6X1.5	NBR	/	pc	1

Technical specifications:		Materials:	
Coupling:	Threaded coupling	Shell material:	Brass nickel plated
Termination:	Soldering	Contact material:	Phosphor Copper Gold plated
Coding:	A	Insert material:	PA66+GF UL94 black
Pollution degree:	3	Sealing:	NBR
Temperature range:	-40°C ~ +80°C		
Degree of protection:	IP67		
Mating cycles:	≥500		
Rated voltage:	60V AC/DC		
Rated current:	4A		
Contact resistance:	≤5 mΩ		
Insulation resistance:	≥100 MΩ		
All materials are RoHS compliant			

No.	Specification	Material	Treat	Unit	Q'ty
GENERAL TOLERANCE (UNLESS SPECIFIED)					
≤10	±0.1				
<10~≤20	±0.2				
<20~≤50	±0.5				
Angle ±1°					
THIRD ANGLE					
DWN DATE		<b>TITLE</b> M12 Female Back Mount Socket 5 core (PG9)			
W.M 2022.8.24					
CHK DATE					
APVD DATE		<b>PART NO</b> 120076-05A000000			
UNIT MM		<b>REV</b> A			
SIZE A4		<b>SHEET</b> 1 OF 1			
		<b>DRAWING NO</b> M12-CF-S5-PG9			