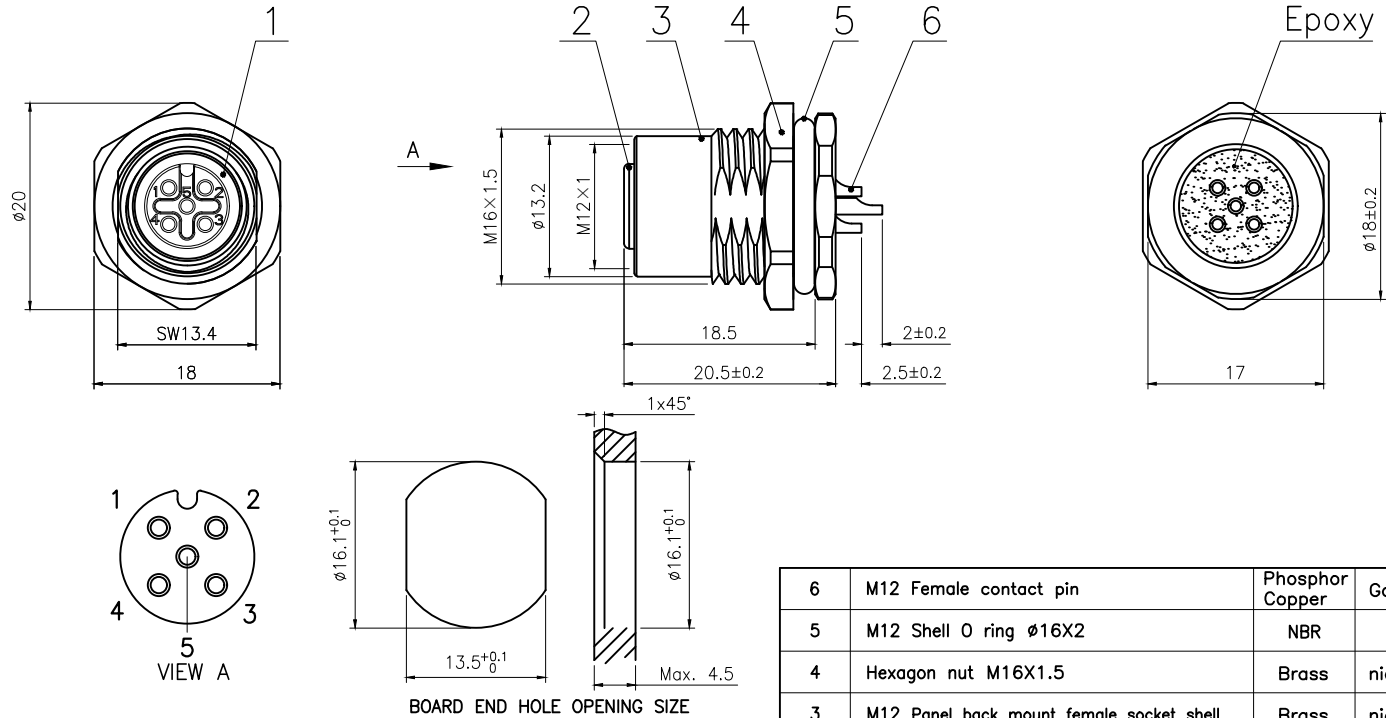


Rev.	Change Description	ECN #	Date



6	M12 Female contact pin	Phosphor Copper	Gold plated	pc	5
5	M12 Shell O ring ϕ 16X2	NBR	/	pc	1
4	Hexagon nut M16X1.5	Brass	nickel plated	pc	1
3	M12 Panel back mount female socket shell	Brass	nickel plated	pc	1
2	M12 Female Insulator (5 core)	Nylon	/	pc	1
1	M12 Insulator O ring ϕ 9X ϕ 6X1.5	NBR	/	pc	1

Technical specifications:		Materials:	
Coupling:	Threaded coupling	Shell material:	Brass nickel plated
Termination:	Soldering	Contact material:	Phosphor Copper Gold plated
Coding:	A	Insert material:	PA66+GF UL94 black
Pollution degree:	3	Sealing:	NBR
Temperature range:	-40°C ~ +80°C		
Degree of protection:	IP67		
Mating cycles:	≥500		
Rated voltage:	60V AC/DC		
Rated current:	4A		
Contact resistance:	≤5 mΩ		
Insulation resistance:	≥100 MΩ		
All materials are RoHS compliant			

No.	Specification	Material	Treat	Unit	Q'ty
GENERAL TOLERANCE (UNLESS SPECIFIED)					
≤10	±0.1				
<10~≤20	±0.2				
<20~≤50	±0.5				
Angle		±1°			
THIRD ANGLE					
DWN DATE		2022.7.18			
W.M					
CHK DATE					
APVD DATE		TITLE			
		M12 Female Back Mount Socket 5 core			
UNIT		PART NO			
MM		120075-05A000000			
SIZE		DRAWING NO			
A4		M12-CF-S5			
REV		SHEET			
A		1 OF 1			