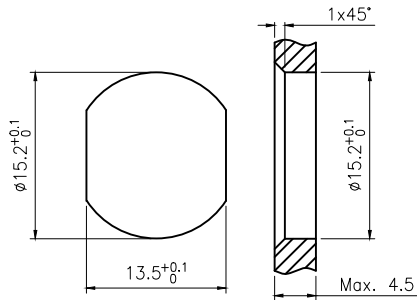
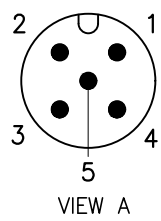
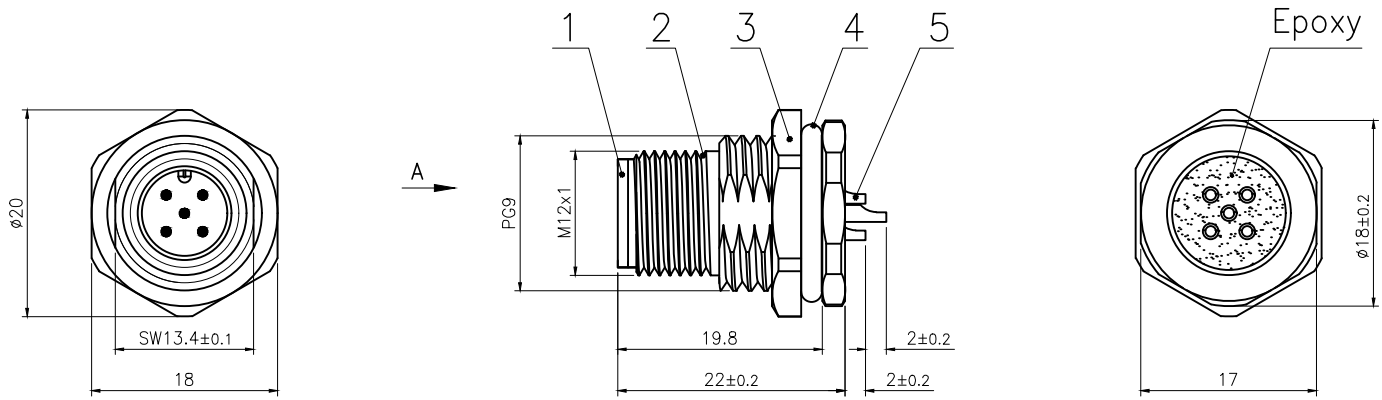


Rev.	Change Description	ECN #	Date



BOARD END HOLE OPENING SIZE

5	M12 Male contact pin	Brass	Gold plated	pc	5
4	M12 Shell O ring $\phi 16 \times 2$	NBR	/	pc	1
3	Hexagon nut PG9	Brass	nickel plated	pc	1
2	M12 Panel back mount male socket shell	Brass	nickel plated	pc	1
1	M12 Male Insulator(5 core)	Nylon	/	pc	1

No.	Specification	Material	Treat	Unit	Q'ty	
GENERAL TOLERANCE (UNLESS SPECIFIED)	DWN DATE					
	W.M DATE					2022.8.24
	CHK DATE					
$\leq 10 \pm 0.1$ $< 10 \sim \leq 20 \pm 0.2$ $< 20 \sim \leq 50 \pm 0.5$ Angle $\pm 1^\circ$	APVD DATE	TITLE				
	UNIT REV	PART NO				
 THIRD ANGLE	MM A	120060-05A000000				
	SIZE SHEET	DRAWING NO				
A4 1 OF 1	M12-F-P5-PG9					

Technical specifications:		Materials:	
Coupling:	Threaded coupling	Shell material:	Brass nickel plated
Termination:	Soldering	Contact material:	Brass Gold plated
Coding:	A	Insert material:	PA66+GF UL94 black
Pollution degree:	3	Sealing:	NBR
Temperature range:	-40°C ~ +80°C		
Degree of protection:	IP67		
Mating cycles:	≥ 500		
Rated voltage:	60V AC/DC		
Rated current:	4A		
Contact resistance:	$\leq 5 \text{ m}\Omega$		
Insulation resistance:	$\geq 100 \text{ M}\Omega$		
All materials are RoHS compliant			