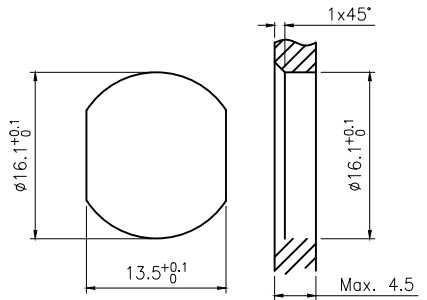
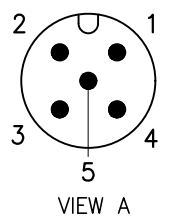
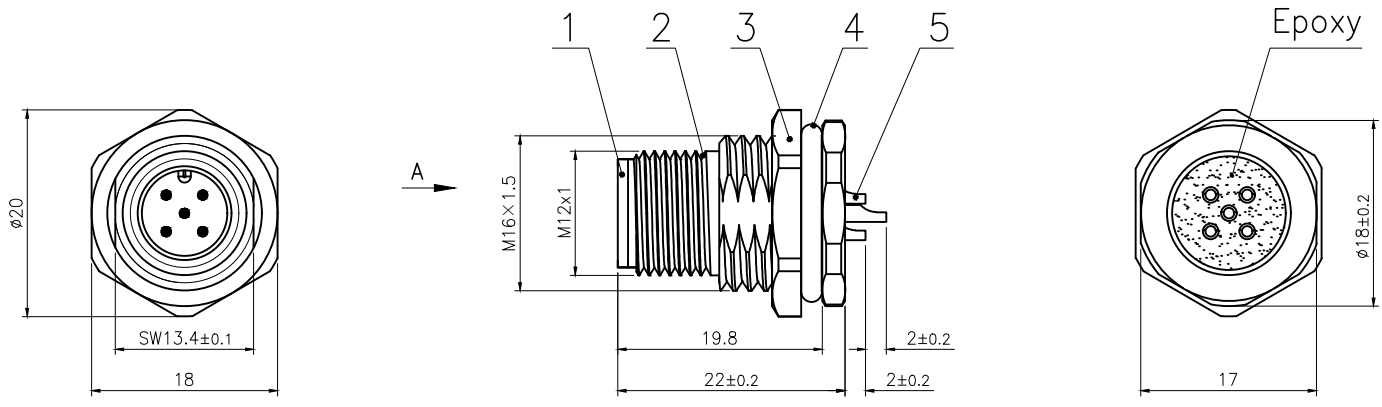


Rev.	Change Description	ECN #	Date



BOARD END HOLE OPENING SIZE

Technical specifications:		Materials:	
Coupling:	Threaded coupling	Shell material:	Brass nickel plated
Termination:	Soldering	Contact material:	Brass Gold plated
Coding:	A	Insert material:	PA66+GF UL94 black
Pollution degree:	3	Sealing:	NBR
Temperature range:	-40°C ~ +80°C		
Degree of protection:	IP67		
Mating cycles:	≥500		
Rated voltage:	60V AC/DC		
Rated current:	4A		
Contact resistance:	≤5 mΩ		
Insulation resistance:	≥100 MΩ		
All materials are RoHS compliant			

5	M12 Male contact pin	Brass	Gold plated	pc	5	
4	M12 Shell O ring $\phi 16 \times 2$	NBR	/	pc	1	
3	Hexagon nut M16×1.5	Brass	nickel plated	pc	1	
2	M12 Panel back mount male socket shell	Brass	nickel plated	pc	1	
1	M12 Male Insulator(5 core)	Nylon	/	pc	1	
No.	Specification	Material	Treat	Unit	Q'ty	
GENERAL TOLERANCE (UNLESS SPECIFIED)	DWN	DATE			TITLE M12 Male Back Mount Socket 5 core	
	≤10	±0.1	W.M			2022.7.18
	<10~≤20	±0.2	CHK			DATE
<20~≤50	±0.5	APVD	DATE			
Angle	±1°					
 THIRD ANGLE	UNIT	REV	PART NO			
	MM	A	120059-05A000000			
SIZE	A4	SHEET	DRAWING NO			
		1 OF 1	M12-F-P5			