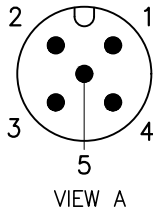
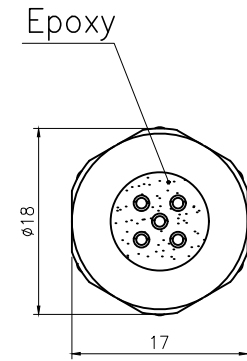
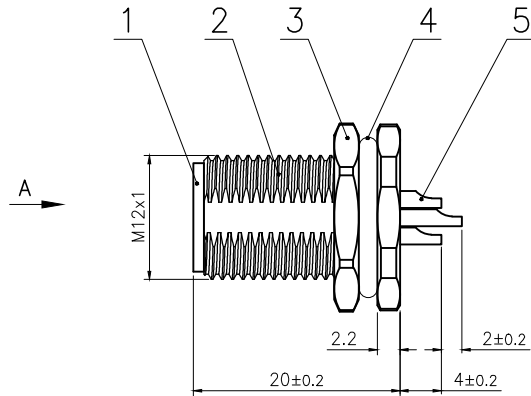
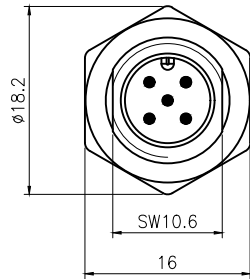


Rev.	Change Description	ECN #	Date



Technical specifications:		Materials:	
Coupling:	Threaded coupling	Shell material:	Brass nickel plated
Termination:	Soldering	Contact material:	Brass Gold plated
Coding:	A	Insert material:	PA66+GF UL94 black
Pollution degree:	3	Sealing:	NBR
Temperature range:	-40°C ~ +80°C		
Degree of protection:	IP67		
Mating cycles:	≥500		
Rated voltage:	60V AC/DC		
Rated current:	4A		
Contact resistance:	≤5 mΩ		
Insulation resistance:	≥100 MΩ		
All materials are RoHS compliant			

5	M12 Male contact pin	Brass	Gold plated	pc	5
4	M12 Shell O ring $\phi 12 \times 2$	NBR	/	pc	1
3	Hexagon nut M12×1	Brass	nickel plated	pc	1
2	M12 Panel back mount male socket shell	Brass	nickel plated	pc	1
1	M12 Male Insulator(5 core)	Nylon	/	pc	1
No.	Specification	Material	Treat	Unit	Q'ty
GENERAL TOLERANCE (UNLESS SPECIFIED)					
≤10	±0.1				
<10~≤20	±0.2				
<20~≤50	±0.5				
Angle		±1°			
 THIRD ANGLE		UNIT	REV	PART NO	
		MM	A	120061-05A000000	
		SIZE	SHEET	DRAWING NO	
		A4	1 OF 1	M12-F2-P5	