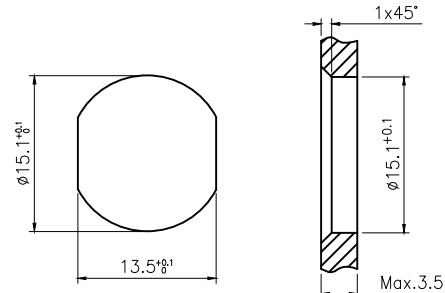
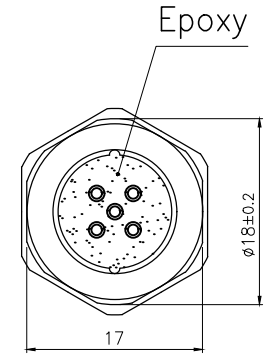
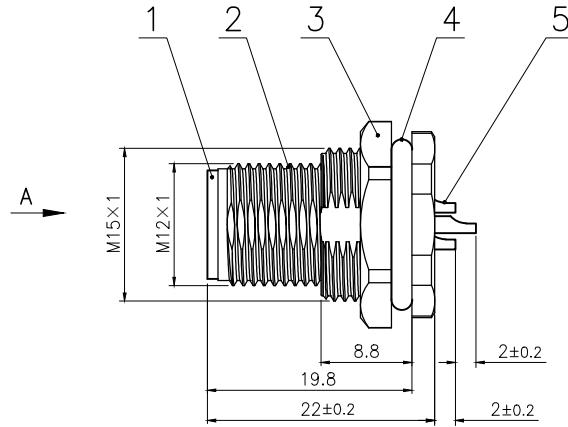
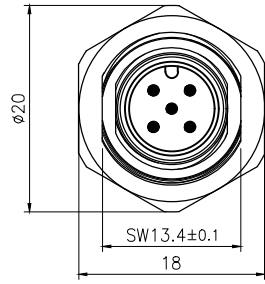
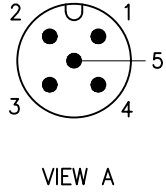


Rev.	Change Description	ECN #	Date



BOARD END HOLE OPENING SIZE

Technical specifications:		Materials:	
Coupling:	Threaded coupling	Shell material:	PA66+GF UL94 black
Termination:	Soldering	Contact material:	Brass Gold plated
Coding:	A	Insert material:	PA66+GF UL94 black
Pollution degree:	3	Sealing:	NBR
Temperature range:	-40°C ~ +80°C		
Degree of protection:	IP67		
Mating cycles:	≥500		
Rated voltage:	60V AC/DC		
Rated current:	4A		
Contact resistance:	≤5 mΩ		
Insulation resistance:	≥100 MΩ		
All materials are RoHS compliant			

5	M12 Male contact pin	Brass	Gold plated	pc	5
4	M12 Shell O ring $\phi 16 \times \phi 12 \times 2$	NBR	/	pc	1
3	Hexagon nut M15×1	Nylon	/	pc	1
2	M12 Panel back mount male socket shell	Nylon	/	pc	1
1	M12 Male Insulator(5 core)	Nylon	/	pc	1

No.	Specification	Material	Treat	Unit	Q'ty
GENERAL TOLERANCE (UNLESS SPECIFIED)	DWN	DATE			
	L.L	2022.08.15			
	CHK	DATE			
<math>\le 10</math> ±0.1 <math>< 10 \sim \le 20</math> ±0.2 <math>< 20 \sim \le 50</math> ±0.5 Angle ±1°	APVD	DATE	TITLE M12 Male Back Mount Socket(5 core)		
	UNIT MM	REV A	PART NO 120071-05A000000		
THIRD ANGLE	SIZE A4	SHEET 1 OF 1	DRAWING NO M12P-F-P5		