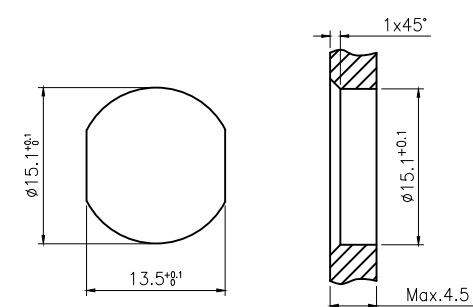
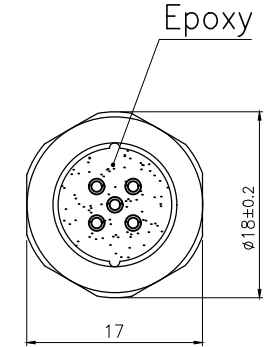
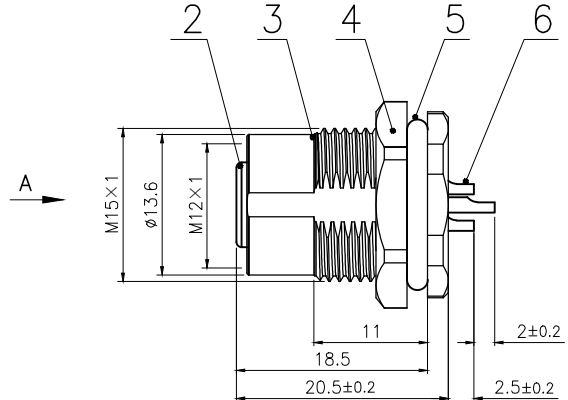
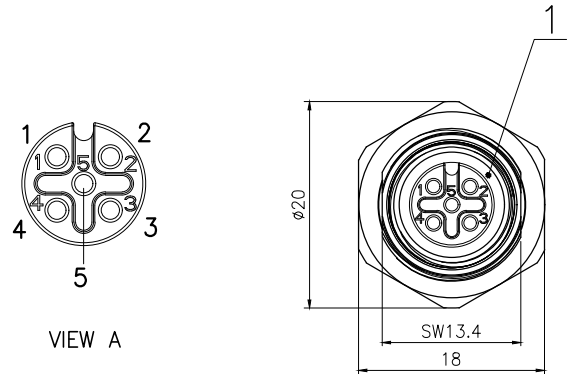


Rev.	Change Description	ECN #	Date



BOARD END HOLE  
OPENING SIZE

Technical specifications:		Materials:	
Coupling:	Threaded coupling	Shell material:	PA66+GF UL94 black
Termination:	Soldering	Contact material:	Phosphor Copper Gold plated
Coding:	A	Insert material:	PA66+GF UL94 black
Pollution degree:	3	Sealing:	NBR
Temperature range:	-40°C ~ +80°C		
Degree of protection:	IP67		
Mating cycles:	≥500		
Rated voltage:	60V AC/DC		
Rated current:	4A		
Contact resistance:	≤5 mΩ		
Insulation resistance:	≥100 MΩ		

All materials are RoHS compliant

No.	Specification	Material	Treat	Unit	Q'ty
6	M12 Female contact pin	Phosphor Copper	Gold plated	pc	5
5	M12 Shell 0 ring $\phi 16 \times \phi 12 \times 2$	NBR	/	pc	1
4	Hexagon nut M15×1	Nylon	/	pc	1
3	M12 Panel back mount female socket shell	Nylon	/	pc	1
2	M12 Female Insulator (5 core)	Nylon	/	pc	1
1	M12 Insulator 0 ring $\phi 9 \times \phi 6 \times 1.5$	NBR	/	pc	1

GENERAL TOLERANCE (UNLESS SPECIFIED)		DATE		
≤10	±0.1	DWN	2022.08.15	
<10~≤20	±0.2	CHK	DATE	
<20~≤50	±0.5	APVD	DATE	TITLE
Angle	±1°			M12 Female Back Mount Socket(5 core)
		UNIT	REV	PART NO
		MM	A	120083-05A000000
		SIZE	SHEET	DRAWING NO
		A4	1 OF 1	M12P-F-S5

