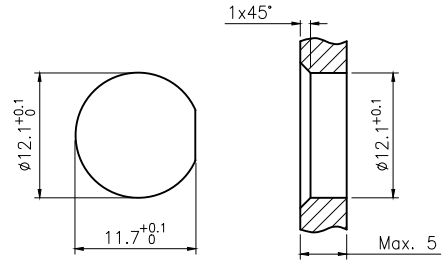
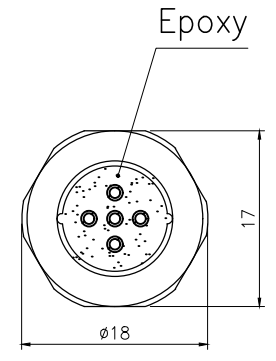
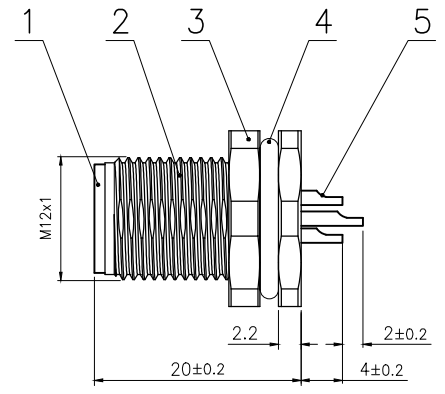
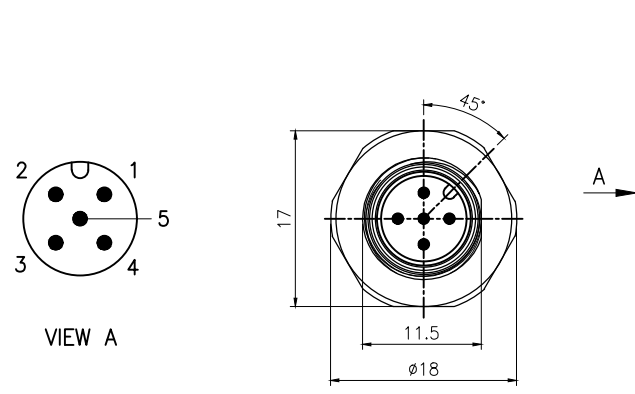


Rev.	Change Description	ECN #	Date



BOARD END HOLE  
OPENING SIZE

Technical specifications:		Materials:	
Coupling:	Threaded coupling	Shell material:	PA66+GF UL94 black
Termination:	Soldering	Contact material:	Brass Gold plated
Coding:	A	Insert material:	PA66+GF UL94 black
Pollution degree:	3	Sealing:	NBR
Temperature range:	-40°C ~ +80°C		
Degree of protection:	IP67		
Mating cycles:	≥500		
Rated voltage:	60V AC/DC		
Rated current:	4A		
Contact resistance:	≤5 mΩ		
Insulation resistance:	≥100 MΩ		
All materials are RoHS compliant			

5	M12 Male contact pin	Brass	Gold Plated	pc	5
4	M12 Shell O ring $\phi 12 \times \phi 8 \times 2$	NBR	/	pc	1
3	Hexagon nut M12×1	Nylon	/	pc	1
2	M12 Panel back mount male socket shell	Nylon	/	pc	1
1	M12 Short body male insulator(5 core)	Nylon	/	pc	1

No.	Specification	Material	Treat	Unit	Q'ty
GENERAL TOLERANCE (UNLESS SPECIFIED)	DWN DATE				
	LL 2022.08.15				
	CHK DATE				
<10~≤20 ±0.2	APVD DATE				
	DATE				
<20~≤50 ±0.5					
Angle ±1°					
THIRD ANGLE	UNIT MM	REV A	TITLE M12 Male Back Mount Socket 5 core (Screw.M12×1)		
	SIZE A4	SHEET 1 OF 1	PART NO 120072-05A000000	DRAWING NO M12P-F2-P5	

