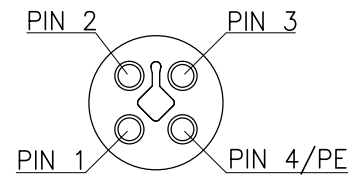
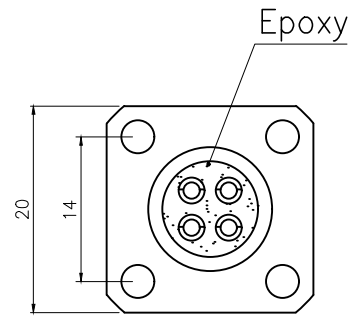
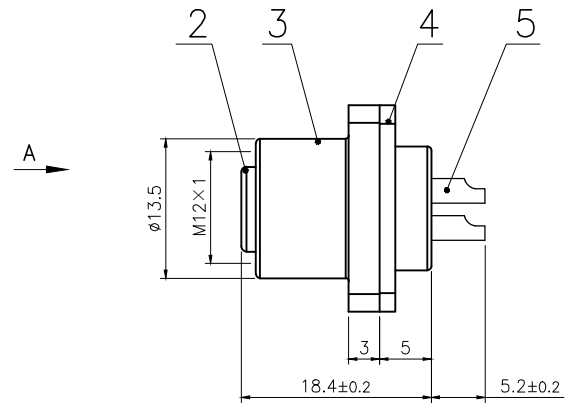
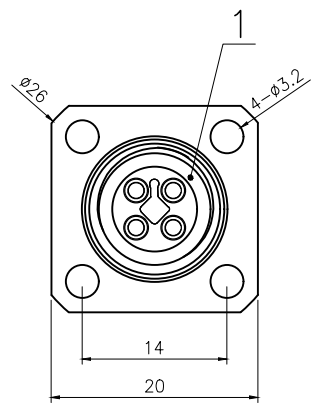


Rev.	Change Description	ECN #	Date



VIEW A

Technical specifications:		Materials:	
Coupling:	Threaded coupling	Shell material:	Brass nickel plated
Termination:	Soldering	Contact material:	Phosphor copper Gold plated
Coding:	T	Insert material:	PA66+GF UL94 black
Pollution degree:	3	Sealing:	NBR
Temperature range:	-40°C ~ +80°C		
Degree of protection:	IP67		
Mating cycles:	≥500		
Rated voltage:	250V AC/DC		
Rated current:	4A		
Contact resistance:	≤5 mΩ		
Insulation resistance:	≥100 MΩ		
All materials are RoHS compliant			

5	M12 Female contact pin	Phosphor copper	Gold plated	pc	4
4	M12 The silicone gasket	silicone	/	pc	1
3	Square flange female socket shell	Brass	nickel plated	pc	1
2	M12 Female Insulator (4 core T coTe)	Nylon	/	pc	1
1	M12 Insulator O ring $\varnothing 9 \times \varnothing 6 \times 1.5$	NBR	/	pc	1

No.	Specification	Material	Treat	Unit	Q'ty
GENERAL TOLERANCE (UNLESS SPECIFIED)					
≤10	±0.1				
<10~≤20	±0.2				
<20~≤50	±0.5				
Angle		±1°			
 THIRD ANGLE		UNIT	REV	PART NO	
		MM	A	120062-04T000000	
SIZE		SHEET		DRAWING NO	
A4		1 OF 1		M12-H-S4T	