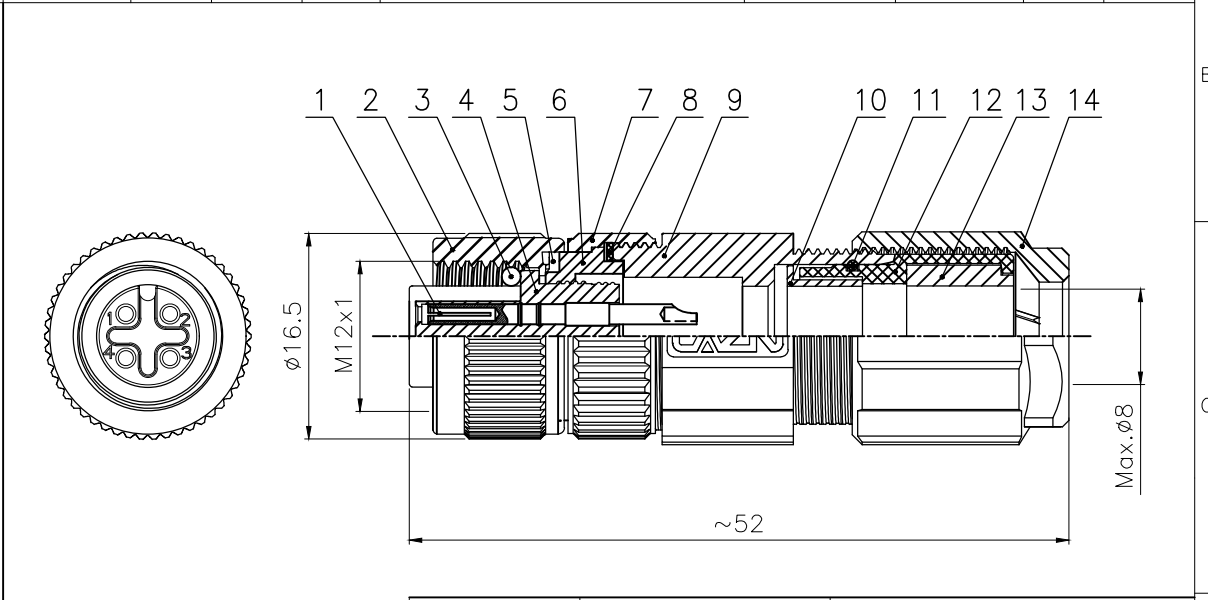
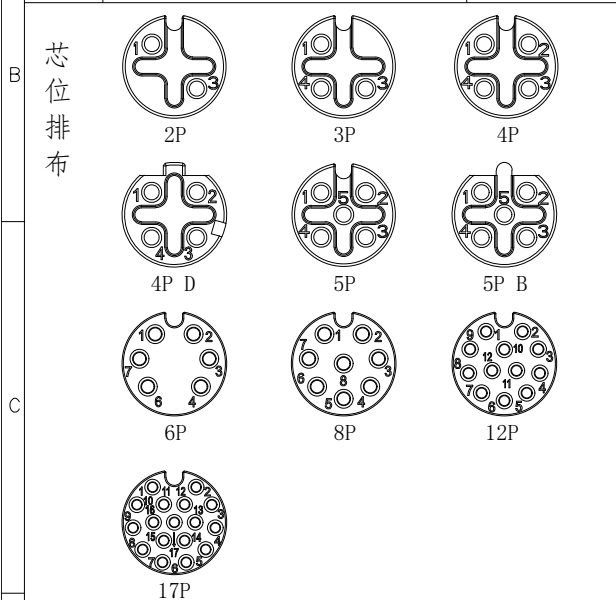


| No. | 1   |          | 2     |      | 3    |               | 4           |       | 5    |      | 6 |  |
|-----|---|----------|-------|------|------|---------------|-------------|-------|------|------|---|--|
|     | Specification                                 | Material | Treat | Unit | Q'ty | Specification | Material    | Treat | Unit | Q'ty |   |  |
| 1   | M12 焊线式母针                                     | 磷铜       | 镀金    | pc   | 2~17 | 9             | M12 X型组装式主体 | 锌合金   | 镀镍   | pc   | 1 |  |
| 2   | M12 大体积母头阻尼连接螺钉                               | 锌合金      | 镀镍    | pc   | 1    | 10            | 屏蔽环         | 黄铜    | 镀镍   | pc   | 1 |  |
| 3   | M12 母头胶芯0型圈 $\phi 9 \times \phi 6 \times 1.5$ | 橡胶       | /     | pc   | 1    | 11            | 防水0型圈       | 硅胶    | /    | pc   | 1 |  |
| 4   | M12 短体母胶芯                                     | 尼龙       | /     | pc   | 1    | 12            | 锁线尾爪        | 尼龙    | /    | pc   | 1 |  |
| 5   | M12 X型组装式带点波形垫片                               | 锰钢       | 镀镍    | pc   | 1    | 13            | 防水硅胶塞       | 硅胶    | /    | pc   | 1 |  |
| 6   | M12 金属组装式连接套                                  | 黄铜       | 镀镍    | pc   | 1    | 14            | 紧锁螺帽        | 锌合金   | 镀镍   | pc   | 1 |  |
| 7   | M12 金属组装式主体连接螺帽                               | 黄铜       | 镀镍    | pc   | 1    | 15            |             |       |      |      |   |  |
| 8   | M12 X型组装式主体防水硅胶垫片                             | 硅胶       | /     | pc   | 1    | 16            |             |       |      |      |   |  |



| 芯数                 | 2          | 3          | 4          | 4D         | 5          | 5B         | 6          | 8          | 12         | 17         |
|--------------------|------------|------------|------------|------------|------------|------------|------------|------------|------------|------------|
| 额定电压               | 250V       | 250V       | 250V       | 250V       | 60V        | 60V        | 30V        | 30V        | 30V        | 30V        |
| 额定电流               | 4A         | 4A         | 4A         | 4A         | 4A         | 4A         | 2A         | 2A         | 1.5A       | 1.5A       |
| 额定脉冲电压             | 2500V      | 2500V      | 2500V      | 2500V      | 1500V      | 1500V      | 800V       | 800V       | 800V       | 800V       |
| 绝缘电阻 (M $\Omega$ ) | $\geq 100$ | $\geq 100$ | $\geq 100$ | $\geq 100$ | $\geq 100$ | $\geq 100$ | $\geq 100$ | $\geq 100$ | $\geq 100$ | $\geq 100$ |
| 接触电阻 (m $\Omega$ ) | $\leq 5$   | $\leq 5$   | $\leq 5$   | $\leq 5$   | $\leq 5$   | $\leq 5$   | $\leq 5$   | $\leq 5$   | $\leq 5$   | $\leq 5$   |

|   |                          |                             |                          |
|---|--------------------------|-----------------------------|--------------------------|
| GENERAL TOLERANCE (UNLESS SPECIFIED)<br>$\leq 10 \pm 0.1$<br>$< 10 \sim \leq 20 \pm 0.2$<br>$< 20 \sim \leq 50 \pm 0.5$<br>Angle $\pm 1'$ | DWN<br>W.M               | DATE<br>2022.8.22           | <b>CAZN 正成</b>           |
|   | CHK                      | DATE                        |                          |
|   | APVD                     | DATE                        | PART NO                  |
|   | UNIT<br>MM<br>SIZE<br>A4 | REV<br>A<br>SHEET<br>1 OF 1 | DRAWING NO<br>M12G-A1-Sx |

THIRD ANGLE