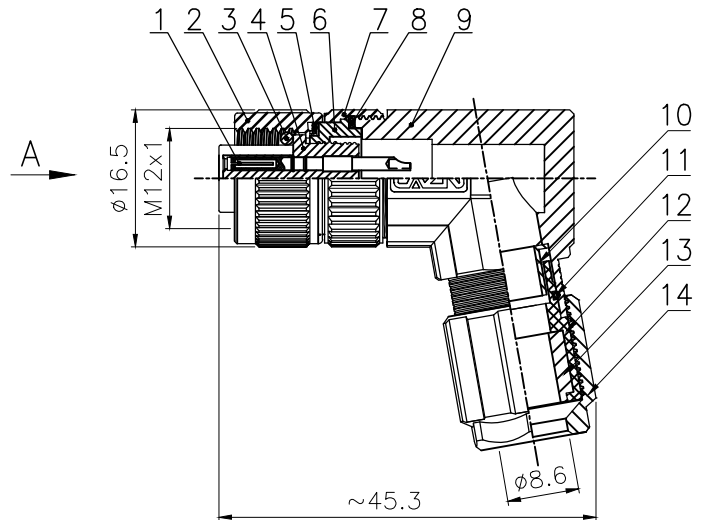
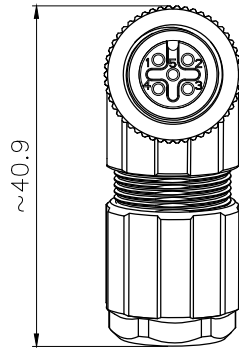
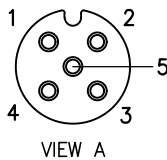
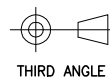


| No. | Specification | Material | Treat | Unit | Q'ty | No. | Specification | Material | Treat | Unit | Q'ty |
|-----|--|-----------------|---------------|------|------|-----|----------------------------------|--------------|---------------|------|------|
| 1 | M12 solder wire female pin | Phosphor Copper | Gold plated | pc | 5 | 9 | M12 X-type assembled curved body | Zinc alloy | nickel plated | pc | 1 |
| 2 | M12 female head damping connecting screw | Zinc alloy | nickel plated | pc | 1 | 10 | Shield ring | Brass | nickel plated | pc | 1 |
| 3 | M12 female head rubber core O-ring | NBR | / | pc | 1 | 11 | waterproof O-ring | The Silicone | / | pc | 1 |
| 4 | M12 short body masterbatch core | Nylon | / | pc | 1 | 12 | Lock line, tail | Nylon | / | pc | 1 |
| 5 | M12 X-type assembled wave gasket with dots | Manganese Steel | nickel plated | pc | 1 | 13 | Waterproof rubber plug | The silicone | / | pc | 1 |
| 6 | M12 metal assembly connection sleeve | Brass | nickel plated | pc | 1 | 14 | Line lock nut | Zinc alloy | nickel plated | pc | 1 |
| 7 | M12 main body connecting nut | Brass | nickel plated | pc | 1 | | | | | | |
| 8 | M12 X type waterproof silicone gasket | The Silicone | / | pc | 1 | | | | | | |



| Technical specifications: | | Materials: | |
|----------------------------------|-------------------|-------------------|-----------------------------|
| Coupling: | Threaded coupling | Shell material: | Brass nickel plated |
| Termination: | Soldering | Contact material: | Phosphor Copper Gold plated |
| Coding: | A | Insert material: | PA66+GF UL94 black |
| Pollution degree: | 3 | Sealing: | NBR |
| Temperature range: | -40°C ~ +80°C | | |
| Degree of protection: | IP67 | | |
| Mating cycles: | ≥500 | | |
| Rated voltage: | 60V AC/DC | | |
| Rated current: | 4A | | |
| Contact resistance: | ≤5 mΩ | | |
| Insulation resistance: | ≥100 MΩ | | |
| All materials are RoHS compliant | | | |

GENERAL TOLERANCE (UNLESS SPECIFIED)
 ≤10 ±0.1
 <10~≤20 ±0.2
 <20~≤50 ±0.5
 Angle ±1°



| | |
|------|-----------|
| DWN | DATE |
| W.M | 2022.8.22 |
| CHK | DATE |
| APVD | DATE |
| UNIT | REV |
| MM | A |
| SIZE | SHEET |
| A4 | 1 OF 1 |

CAZN 正成

TITLE
M12 Angled Female Metal Plug 5 core

PART NO
120011-05A000000

DRAWING NO
M12G-D1-S5